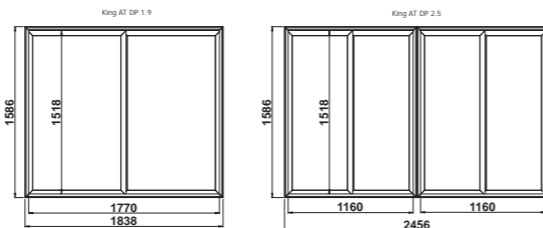
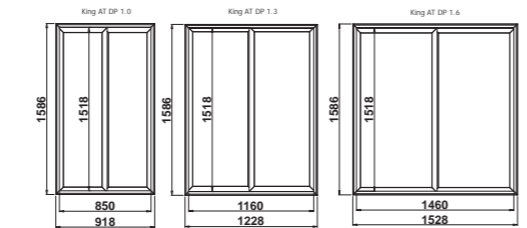
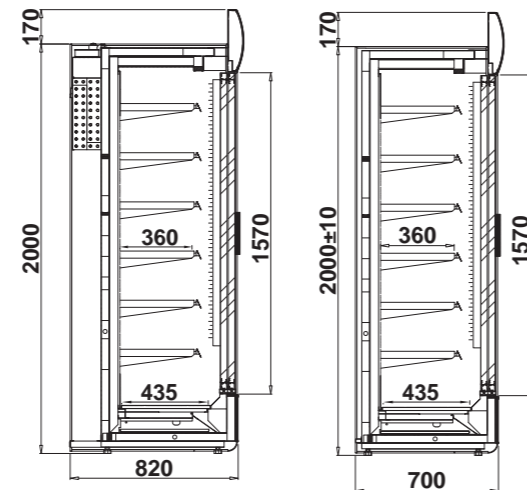




maximum exposition = minimum store surface exposure

King DP-AT

Combines the largest exhibition space with the advantages of open merchandiser and cooling cabinet.



King DP-AT

+1/+10

Device name	KING 1.0 DP-AT	KING 1.3 DP-AT	KING 1.6 DP-AT	KING 1.9 DP-AT	KING 2.5 DP-AT
Device ID	KG100DP-AT	KG101DP-AT	KG102DP-AT	KG103DP-AT	KG104DP-AT
Length [mm]	1000	1310	1610	1920	2540
Weight [kg]	220	270	310	350	430
Cooling area of shelves [m ²]	2,8	3,7	4,6	5,5	7,4
Usable capacity [dm ³]	748	966	1208	1449	1944
Rated Power [W]	741	881	983	1275	1689
Electricity consumption [kWh/24h]	8,9	10,6	11,8	15,3	20,3



King DP-AT - mod/A

+1/+10

Device name	KING 1.0 DP-AT-mod/A	KING 1.3 DP-AT-mod/A	KING 1.6 DP-AT-mod/A	KING 1.9 DP-AT-mod/A	KING 2.5 DP-AT-mod/A
Device ID	KG100DP-AT-a	KG101DP-AT-a	KG102DP-AT-a	KG103DP-AT-a	KG104DP-AT-a
Length [mm]	920	1230	1530	1840	2460
Weight [kg]	170	220	260	300	380
Cooling area of shelves [m ²]	2,8	3,7	4,6	5,5	7,4
Usable capacity [dm ³]	748	966	1208	1449	1944
Rated Power [W]	741	881	983	1275	1689
Electricity consumption [kWh/24h]	8,9	10,6	11,8	15,3	20,3



King DP-AT - mod/C

+1/+10

Device name	KING 1.0 DP-AT-mod/C	KING 1.3 DP-AT-mod/C	KING 1.6 DP-AT-mod/C	KING 1.9 DP-AT-mod/C	KING 2.5 DP-AT-mod/C
Device ID	KG100DP-AT-c	KG101DP-AT-c	KG102DP-AT-c	KG103DP-AT-c	KG104DP-AT-c
Length [mm]	920	1230	1530	1840	2460
Weight [kg]	180	230	270	310	390
Cooling area of shelves [m ²]	2,8	3,7	4,6	5,5	7,4
Usable capacity [dm ³]	748	966	1208	1449	1944
Rated power of lighting [W]	102	108	130	168	180



Standard equipment	King	King mod/A	King mod/C
internal refrigeration unit placed on the back panel	•	•	-
device suitable for multiplexing	-	•	•
side panels (zinc coated plate) painted white	•	-	-
dynamic cooling	•	•	•
ecological polyurethane foam insulation	•	•	•
front panel powder painted - white	•	•	•
interior and exposition shelves made of zinc coated plate, powder painted - white	•	•	•
exposition shelves height and installation angle adjustment possibility	•	•	•
price stripes - different color option available	•	•	•
condensate drain pump	•	•	•
interior illumination - white fluorescent light	•	•	•
illuminated top panel - different color option available pleksi	•	•	•
spreading double glazed glass door	•	•	•
device levelling stands	•	•	•
automatic defrosting	•	•	•
electronic controller with digital temperature display ¹	•	•	•
sound alarm indicating condenser impurity or fan operation failure ²	•	•	-

Option ID	Option name
415	side panels (zinc coated plate) painted white ³
5013	side panels - different color option available
416	side panels with glass
417	side panels with mirrors
5002	front panel - different color option available
910	top panel - different color option available
1139	bottom advertising "pocket"
1336	interior and exposition shelves made of stainless steel
1337	interior and exposition shelves made of acid - resistant stainless steel
803	additional illumination of shelves
820	LED illumination
811	red fluorescent lamp
1121	fruits and vegetables baskets ⁴
1204	goods securing fence
701	top mirrors ⁵
1120	long meat hooks
510	temperature recorder ²
515	temperature recording conductor (RS232 - USB)
512	SMS capable alarm system with temperature recorder and emergency Power supply accumulator

¹ only for the module with the master control ² only using IGLOO thermostat ³ when choosing KING DP AT mod/C side panel width is 700 mm (ft.2) ⁴ four rows of baskets for fruits and vegetables ⁵ when choosing option ID 701 device has 5 adjustable shelves - Air temperature + 25 oC, air humidity 65%