



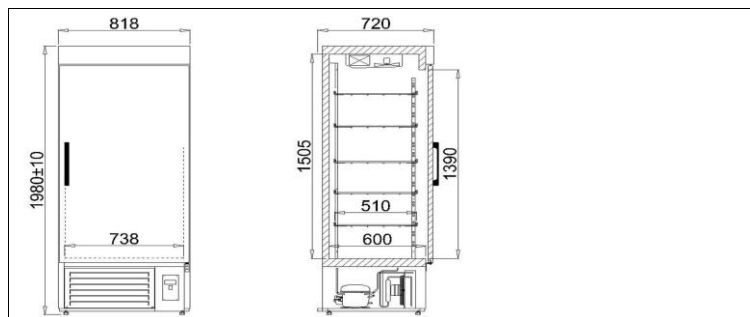
JOLA P B

Type: JOLA 700.P/B

ID: JO100.P/B



Management Service
ISO 9001: 2000

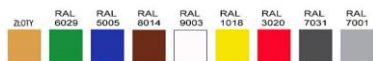


STANDARD

- refrigerating unit fitting - lower
- external housing of zinc coated plate, powder painted white
- interior made of zinc coated plate covered with polyester, color white
- Solid open-out door – door opening direction choice option
- forced air circulation
- automatic defrosting
- condensate outlet to container
- sound alarm indicating condenser impurity or fan operation failure*
- electronic controller with digital temperature display
- ecological polyurethane foam insulation
- 5 plastified metal reticulated shelves, with position adjustment + fixture set
- device levelling stands
- * only when using IGLOO thermostat

Colour scheme

Paint colors



Plexiglass colors



KOLOR WG WZORNIKA IGLOO

Technical parameters

Cooling factor	R134a
Length [mm]	818
Depth [mm]	720
Maximum load of one shelf [kg]	30
Cooling power [W]	535
Rated power [W]	446
Rated voltage [V]	230/50Hz
Usable capacity [dm ³]	700
Evaporation temperature To [°C]	-15
Unit weight [kg]	120
Height [mm]	1980+/-10
Range of temperature [°C]	+2/+8
Electricity consumption [kWh/24h]	5,4

Additional options add. cost

- horizontal door split
- spreading door self-closer
- fan stopping switch
- door lock with key
- automatic condensate vaporization
- temperature recorder *
- external housing of zinc coated plate, powder painted - color selection possible
- extra plastified metal reticulated shelf + fixture set
- extra plastified metal reticulated shelf, strengthened + fixture set
- extra chromium plated reticulated shelf + fixture set
- Surcharge to a chrome supported shelf
- Surcharge to a plastic supported shelf
- Surcharge to a chrome shelf
- extra chromium plated reticulated shelf, strengthened + fixture set