



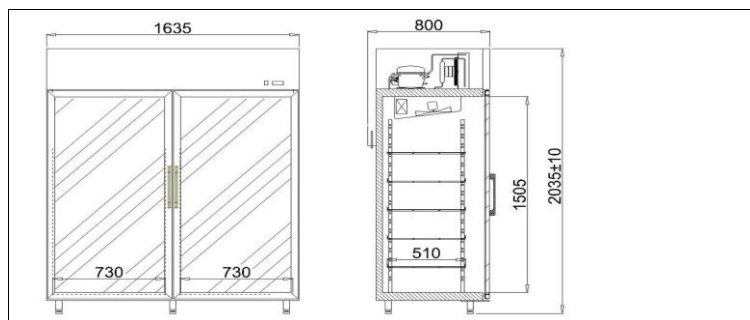
OLA AG 2

Type:OLA 1400.2 AG

ID:OL100.2/AG



Management Service
ISO 9001: 2000

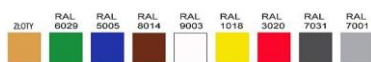


STANDARD

- refrigerating unit fitting - upper
- external housing of zinc coated plate, powder painted white
- unit interior made of stainless plate
- back spreading door with combined glass
- forced air circulation
- automatic defrosting
- condensate outlet to container
- sound alarm indicating condenser impurity or fan operation failure*
- electronic controller with digital temperature display
- ecological polyurethane foam insulation
- interior light
- 10 plastified metal reticulated shelves, with position adjustment + fixture set
- device levelling stands

Colour scheme

Paint colors



Plexiglass colors



KOLOR WG WZORNIKA IGLOO

Technical parameters

Cooling factor	R507
Length [mm]	1635
Depth[mm]	800
Maximum load of one shelf [kg]	30
Cooling power [W]	738
Rated power [W]	771
Rated power of lighting [W]	94
Rated voltage [V]	230/50Hz
Usable capacity [dm ³]	1400
Show window area [m ²]	2,2
Evaporation temperature To [°C]	-15
Unit weight [kg]	230
Height [mm]	2035+/-10
Range of temperature [°C]	+2/+8
Electricity consumption [kWh/24h]	9,3

Additional options add. cost

- external housing of stainless plate
- horizontal door split
- spreading door self-closer
- fan stopping switch
- door lock with key
- automatic condensate vaporization
- temperature recorder *
- extra interior light
- external housing of zinc coated plate, powder painted - color selection possible
- extra plastified metal reticulated shelf + fixture set
- extra plastified metal reticulated shelf, strengthened + fixture set
- extra chromium plated reticulated shelf + fixture set
- Surcharge to a chrome supported shelf
- Surcharge to a plastic supported shelf
- Surcharge to a chrome shelf
- extra chromium plated reticulated shelf, strengthened + fixture set

-Air temperature + 25 °C, air humidity 65% -Data alteration reserved * -only using IGLOO thermostat