



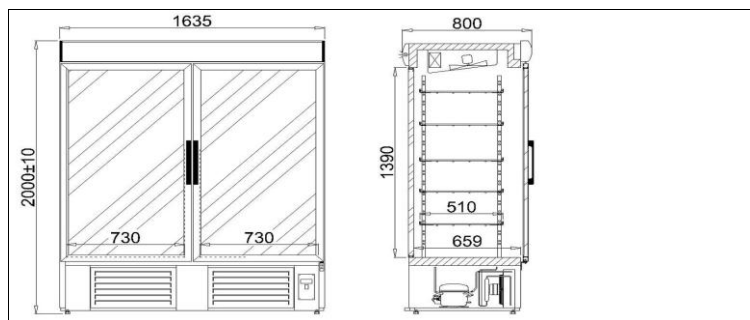
**OLA 1400.4/B**

Type:OLA 1400.4/B

ID:OL100.4/B



ISO 9001: 2000

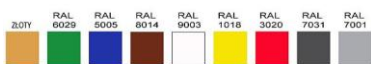


**STANDARD**

- "double" fornt glass
- refrigerating unit fitting - lower
- external housing of zinc coated plate, powder painted white
- interior made of zinc coated plate covered with polyester, color white
- back spreading door with combined glass
- internal light switch
- forced air circulation
- automatic defrosting
- condensate outlet to container
- sound alarm indicating condenser impurity or fan operation failure\*
- electronic controller with digital temperature display
- ecological polyurethane foam insulation
- interior light
- illuminated top panel (advertising ceiling light fitting) - color selection possible
- 10 plastified metal reticulated shelves, with position adjustment + fixture set
- device levelling stands

**Colour scheme**

**Paint colors**



**Plexiglass colors**



KOLOR WG WZORNIKA IGLOO

**Technical parameters**

Cooling factor	R507
Length [mm]	1635
Depth[mm]	800
Maximum load of one shelf [kg]	30
Cooling power [W]	738
Rated power [W]	771
Rated power of lighting [W]	94
Rated voltage [V]	230/50Hz
Usable capacity [dm <sup>3</sup> ]	1400
Show window area [m <sup>2</sup> ]	4,06
Evaporation temperature To [°C]	-15
Unit weight [kg]	245
Height [mm]	2000+/-10
Range of temperature [°C]	+2/+8
Electricity consumption [kWh/24h]	9,3

**Additional options add. cost**

- horizontal door split
- spreading door self-closer
- fan stopping switch
- door lock with key
- automatic condensate vaporization
- temperature recorder \*
- extra interior light
- external housing of zinc coated plate, powder painted - color selection possible
- extra plastified metal reticulated shelf + fixture set
- extra plastified metal reticulated shelf, strengthened + fixture set
- extra chromium plated reticulated shelf + fixture set
- Surcharge to a chrome supported shelf
- Surcharge to a plastic supported shelf
- Surcharge to a chrome shelf
- extra chromium plated reticulated shelf, strengthened + fixture set

-Air temperature + 25 °C, air humidity 65% -Data alteration reserved \* -only using IGLOO thermostat