



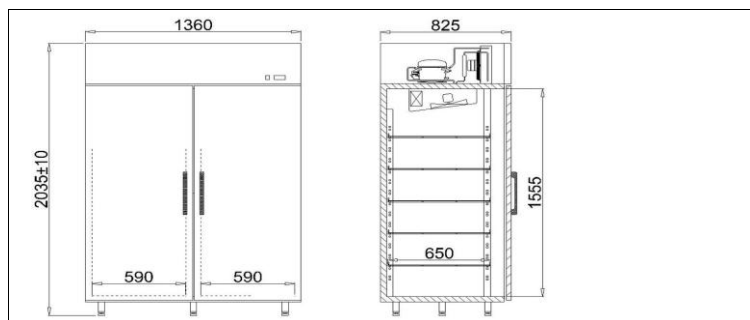
OLA 2 P AG

Type:OLA 2/1400.P AG

ID:OL100/2/P/AG



ISO 9001: 2000

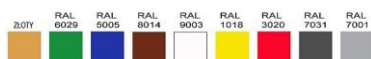


STANDARD

- refrigerating unit fitting - upper
- external housing of zinc coated plate, powder painted white
- unit interior made of stainless plate
- spreading door - full
- forced air circulation
- automatic defrosting
- condensate outlet to container
- sound alarm indicating condenser impurity or fan operation failure*
- electronic controller with digital temperature display
- ecological polyurethane foam insulation
- 10 metal net plastic supported shelves, including position adjustment + handle set
- device levelling stands

Colour scheme

Paint colors



Plexiglass colors



KOLOR WG WZORNIKA IGLOO

Technical parameters

| | |
|------------------------------------|-----------|
| Cooling factor | R507 |
| Length [mm] | 1360 |
| Depth[mm] | 825 |
| Maximum load of one shelf [kg] | 30 |
| Cooling power [W] | 738 |
| Rated power [W] | 677 |
| Rated voltage [V] | 230/50Hz |
| Usable capacity [dm ³] | 1400 |
| Evaporation temperature To [°C] | -15 |
| Unit weight [kg] | 210 |
| Height [mm] | 2035+/-10 |
| Range of temperature [°C] | +2/+8 |
| Electricity consumption [kWh/24h] | 8,1 |

Additional chooser options

- GN 1/1 catering containers - available depth 20 mm
- GN 1/1 catering containers - available depth 40 mm
- GN 1/1 catering containers - available depth 65 mm
- GN 1/1 catering containers - available depth 100 mm
- GN 1/1 catering containers - available depth 150 mm
- GN 1/1 catering containers - available depth 200 mm

Additional options add. cost

- external housing of stainless plate
- horizontal door split
- spreading door self-closer
- fan stopping switch
- door lock with key
- automatic condensate vaporization
- temperature recorder *
- external housing of zinc coated plate, powder painted - color selection possible
- extra plastified metal reticulated shelf, strengthened + fixture set
- Surcharge to a chrome supported shelf
- extra chromium plated reticulated shelf, strengthened + fixture set
- GN container guides

-Air temperature + 25 °C, air humidity 65% -Data alteration reserved * -only using IGLOO thermostat