

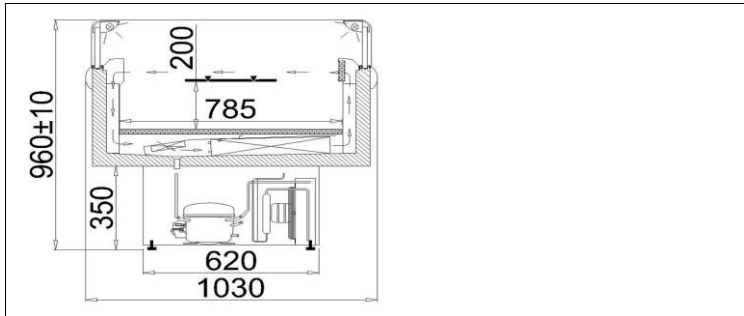


## JUSTYNA MOD/A

Type: JUSTYNA 2.0 mod/A  
ID: JS100-a



Management Service  
ISO 9001: 2000

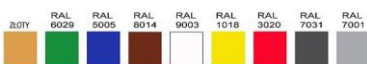


### STANDARD

- device available for line setup
- internal refrigerating unit
- external housing of stainless zinc plated plate coated with polyester, color white
- chamber interior made of zinc plated plate, coated with polyester, color white
- exposition area of zinc coated plate, covered with polyester, color white
- electronic control with digital temperature display
- forced air circulation
- automatic defrosting
- automatic condensate vaporization
- sound alarm indicating condenser impurity or fan operation failure\*
- light - "white" fluorescent lamp
- ecological polyurethane foam insulation
- front fender - color selection possible
- device levelling stands
- \* only when using IGLOO thermostat

### Colour scheme

#### Paint colors



#### Aluminium sections colors



#### ABS sides



KOLOR WG WZORNIKA IGLOO

### Technical parameters

Cooling factor	R507
Length without sides [mm]	1880
Depth [mm]	1030
Maximum load of unit [kg]	300
Cooling power [W]	1234
Rated power [W]	1548
Rated power of evaporator heater [W]	2210
Rated power of lighting [W]	116
Rated voltage [V]	230/50Hz
Usable capacity [dm <sup>3</sup> ]	290
Show window area [m <sup>2</sup> ]	1,45
Evaporation temperature To [°C]	-30
Unit weight [kg]	200
Height [mm]	960+/-10
Range of temperature [°C]	-15/-24
Electricity consumption [kWh/24h]	23

### Additional options add. cost

- movable glass partition
- horizontal night roller blinds
- side panels of ABS plastic - color selection possible
- extra charge on front panel and/or base colour - colour selection possible
- temperature recorder \*