

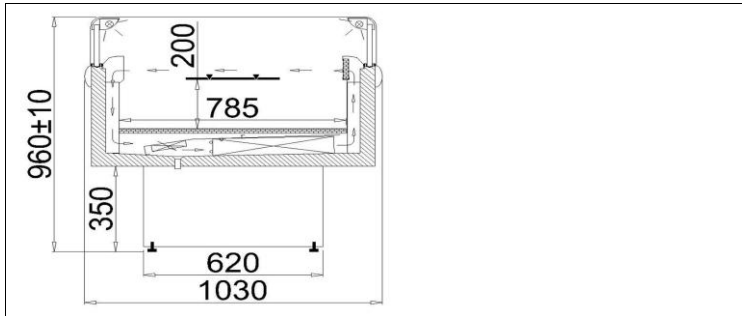


JUSTYNA MOD/C

Type:JUSTYNA 2.0 mod/C
ID:JS100-c



ISO 9001: 2000

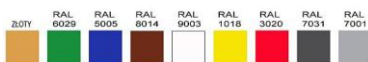


STANDARD

- device available for line setup
- powered only by external refrigerating unit
- external housing of stainless zinc plated plate coated with polyester, color white
- chamber interior made of zinc plated plate, coated with polyester, color white
- exposition area of zinc coated plate, covered with polyester, color white
- electronic control with digital temperature display
- forced air circulation
- automatic defrosting
- light - "white" fluorescent lamp
- ecological polyurethane foam insulation
- front fender - color selection possible
- device levelling stands

Colour scheme

Paint colors



Aluminium sections colors



ABS sides



KOLOR WG WZORNIKA IGLOO

Technical parameters

Length without sides [mm]	1880
Depth[mm]	1030
Maximum load of unit [kg]	300
Rated power [W]	208
Rated power of evaporator heater [W]	2210
Rated power of lighting [W]	116
Rated voltage [V]	230/50Hz
Usable capacity [dm ³]	290
Show window area [m ²]	1,45
Evaporation temperature To [°C]	-30
Unit weight [kg]	170
Height [mm]	960+/-10
Range of temperature [°C]	-15/-24
Electricity consumption [kWh/24h]	3,3

Additional options add. cost

- movable glass partition
- horizontal night roller blinds
- side panels of ABS plastic - color selection possible
- extra charge on front panel and/or base colour - colour selection possible
- temperature recorder *