



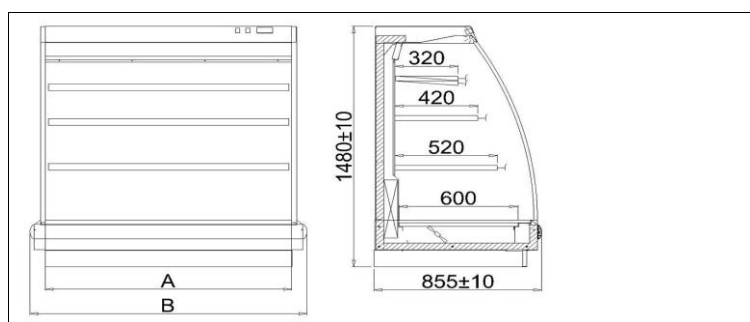
TOBAGO MOD/C

Type: *TOBAGO 2.5*

ID:TB02



Management Service
ISO 9001: 2000

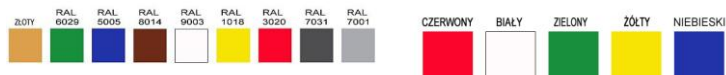


STANDARD

- device available for line setup
- powered only by external refrigerating unit
- Cupboard inside and shelves made of white powder-painted tinplate
- price strips - color selection possible
- extra shelves lightning
- automatic defrosting
- automatic condensate vaporization
- front fender - color selection possibility
- ecological polyurethane foam insulation
- device levelling stands
- * only using IGLOO thermostat

Colour scheme

Paint colors



Base fender colors



KOLOR WG WZORNICA IGLOO

KOLOR WG WZORNICA IGLOO

Technical parameters

Cooling factor	R507
Length with sides[mm]	2660
Depth[mm]	850
Side thickness [mm]	80
Maximum shelf load [kg/linear metre]	30
Rated power [W]	152
Rated power of lighting [W]	144
Rated voltage [V]	230/50Hz
Usable capacity [dm ³]	1280
Cooling area of shelves [m ²]	4,6
Show window area [m ²]	2,6
Show window area [m ²]	2,6
Evaporation temperature To [°C]	-10
Unit weight [kg]	290
Shelves sizes [mm]	2490x320 - 1szt, 1490x420 - 1szt, 2490x520 - 1szt, 2490x600 - 1szt
Height [mm]	1480+/-10
Range of temperature [°C]	+2/+8
Cooling power demand [W/linear metre]	800
Electricity consumption [kWh/24h]	3,6

Additional options add. cost

- Tobago 1.25 cupboard inside and shelves made from stainless metal sheet
- Tobago 1.9 cupboard inside and shelves made from stainless metal sheet
- Tobago 2.5 cupboard inside and shelves made from stainless metal sheet
- extra side lightning
- extra charge on top panel or/and base color
- extra charge on base or/and front color
- sides set
- temperature recorder *