

# Z.E.Ch. IGLOO product catalogue, group: Neutral counters

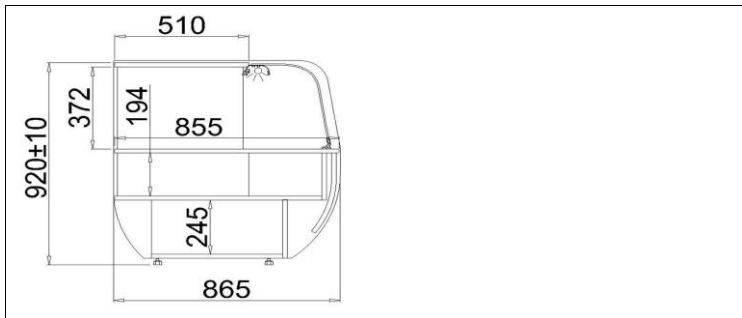


**LADA JAMAJKA**

Type: *LADA JAMAJKA 1.7*  
ID: LS/JA1700



Management Service  
**ISO 9001: 2000**



## STANDARD

- Wooden case (appliance sides and front) according to IGLOO pattern book
- light - "white" fluorescent lamp
- Front bent pane
- Gold and/or silver aluminium profiles
- Small legs dedicated to level the counter

## Colour scheme

### Wood colors



### Aluminium sections colors



## Technical parameters

Length with sides [mm]	1700
Depth [mm]	865
Side thickness [mm]	40
Unit weight [mm]	160
Height [mm]	920+/-10

## Additional options add. cost

- Shelf additional lighting
- work surface - granite, grey
- work surface - granite, Balmoral

-Air temperature + 25 °C, air humidity 65% -Data alteration reserved \* -only using IGLOO thermostat

Zakład Elektromechaniki Chłodniczej "IGLOO"

32-700 Bochnia, ul. Kazimierza Wielkiego 13

tel.: +48 14/ 662 19 10, fax: +48 14/ 662 19 12, e-mail: info@igloo.com.pl

