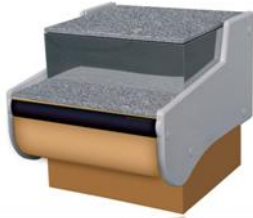


# Z.E.Ch. IGLOO product catalogue, group: Neutral counters

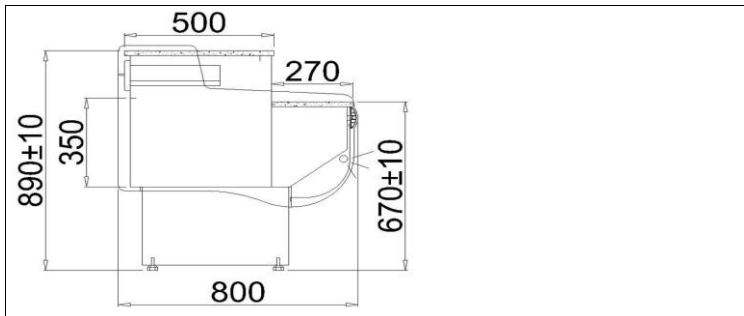


## LADA MONIKA

Type: LADA MONIKA  
2/1.1  
ID: LS/MO1100



Management Service  
ISO 9001: 2000



### STANDARD

- front fender - color selection possible
- White-painted external body
- Small legs dedicated to level the counter
- work surface - granite, grey

### Colour scheme

#### Paint colors



#### Base fender colors



#### Aluminium sections colors



#### Plexiglass colors



#### ABS sides



### Technical parameters

Length without sides [mm]	1100
Length with sides [mm]	1180
Depth [mm]	800
Unit weight [mm]	86
Height [mm]	890+/-10

### Additional options add. cost

- side panels of ABS plastic - color selection possible
- base fender - color selection possible
- front panel with lightning - plexiglass color selection possible
- work surface - granite, Balmoral
- front-line panel and/or base options colours

-Air temperature + 25 °C, air humidity 65% -Data alteration reserved \* -only using IGLOO thermostat

Zakład Elektromechaniki Chłodniczej "IGLOO"

32-700 Bochnia, ul. Kazimierza Wielkiego 13

tel.: +48 14/ 662 19 10, fax: +48 14/ 662 19 12, e-mail: info@igloo.com.pl

