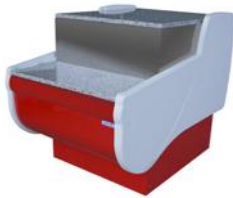


Z.E.Ch. IGLOO product catalogue, group: Neutral counters



LADA SANTIAGO

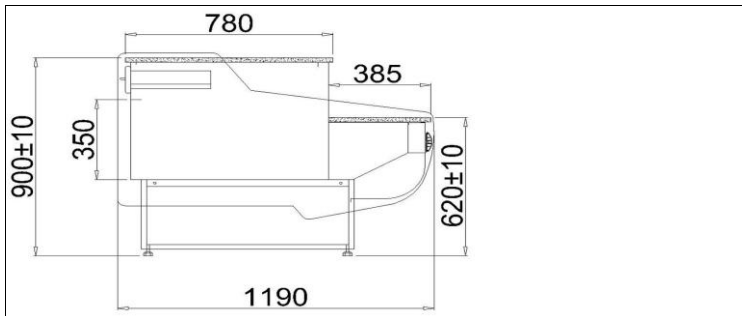
Type: *LADA SANTIAGO*

1.1

ID:LS/SA1100



ISO 9001: 2000



STANDARD

- front fender - color selection possible
- White-painted external body
- Small legs dedicated to level the counter
- work surface - granite, grey

Colour scheme

Base fender colors



KOLOR WG WZORNIKA IGLOO

ABS sides



KOLOR WG WZORNIKA IGLOO

Granite colors



Technical parameters

Length without sides [mm]	1100
Length with sides[mm]	1180
Depth[mm]	1190
Unit weight [mm]	126
Height [mm]	900+/-10

Additional options add. cost

- side panels of ABS plastic - color selection possible
- work surface - granite, Balmoral
- front-line panel and/or base options colours

-Air temperature + 25 °C, air humidity 65% -Data alteration reserved * -only using IGLOO thermostat

Zakład Elektromechaniki Chłodniczej "IGLOO"

32-700 Bochnia, ul. Kazimierza Wielkiego 13

tel.: +48 14/ 662 19 10, fax: +48 14/ 662 19 12, e-mail:info@igloo.com.pl

