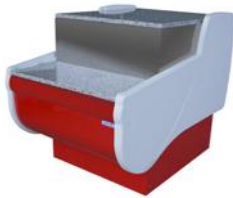


Z.E.Ch. IGLOO product catalogue, group: Neutral counters



LADA SANTIAGO

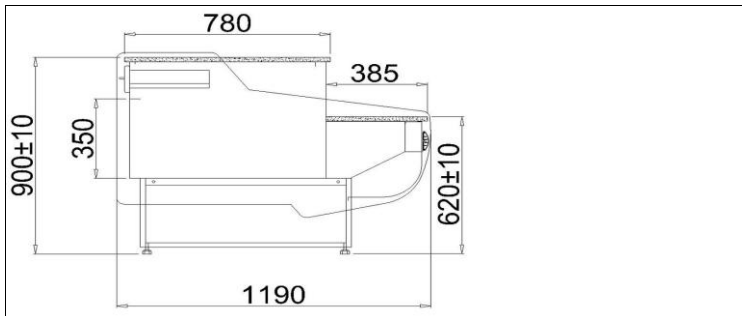
Type: *LADA SANTIAGO*

1.3

ID:LS/SA1300



Management Service
ISO 9001: 2000



STANDARD

- front fender - color selection possible
- White-painted external body
- Small legs dedicated to level the counter
- work surface - granite, grey

Colour scheme

Base fender colors



Granite colors



ABS sides



Technical parameters

Length without sides [mm]	1300
Length with sides[mm]	1380
Depth[mm]	1190
Unit weight [mm]	150
Height [mm]	900+/-10

Additional options add. cost

- side panels of ABS plastic - color selection possible
- work surface - granite, Balmoral
- front-line panel and/or base options colours