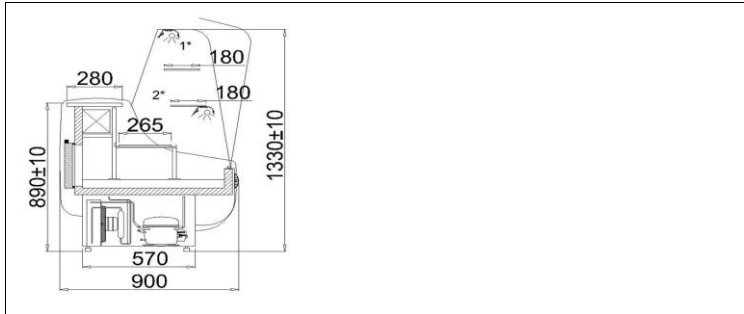




ATA 3/1.3



ISO 9001: 2000

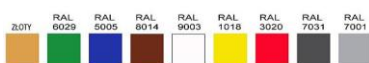


STANDARD

- internal refrigeration unit
- Gold-painted base and front
- external housing of zinc coated plate, powder painted - color white
- storage chamber made of stainless plate
- exposition area made of stainless plate
- aluminium sections - color selection possible - silver / gold
- electronic controller with digital temperature display
- gravitational cooling
- automatic defrosting
- condensate outlet to container
- sound alarm indicating condenser impurity or fan operation failure*
- front panel warm air blast
- work surface - granite, grey
- high front panel, bent, removable
- light - "confectionery" fluorescent lamp
- night roller blinds
- exposition drawers, extendable
- ecological polyurethane foam insulation
- side panels of ABS plastic - color selection possible
- front fender - color selection possible
- device levelling stands

Colour scheme

Paint colors



ABS sides



KOLOR WG WZORNIKA IGLOO

Base fender colors



KOLOR WG WZORNIKA IGLOO

Aluminium sections colors



KOLOR WG WZORNIKA IGLOO

Technical parameters

Cooling factor	R134a
Length with sides [mm]	1315
Depth [mm]	900
Side thickness [mm]	40
Cooling power [W]	470
Rated power [W]	401
Rated power of lighting [W]	90
Rated voltage [V]	230/50Hz
Shelf load [kg/linear metre]	10
Usable capacity of cold chamber [dm ³]	360
Show window area [m ²]	1,7
Evaporation temperature To [°C]	-10
Unit weight [kg]	165
Height [mm]	1330+/-10
Range of temperature [°C]	+2/+8
Electricity consumption [kWh/24h]	6,4

Additional chooser options

- light - "white" fluorescent lamp

Additional options add. cost

- automatic condensate vaporization
- work surface - granite Balmoral
- extra charge on front panel and/or base color - color selection possible
- front panel with lightning - plexiglass color selection possible
- temperature recorder *
- socket with fuse