

Z.E.Ch. IGLOO product catalogue, group: Chill counters and pods

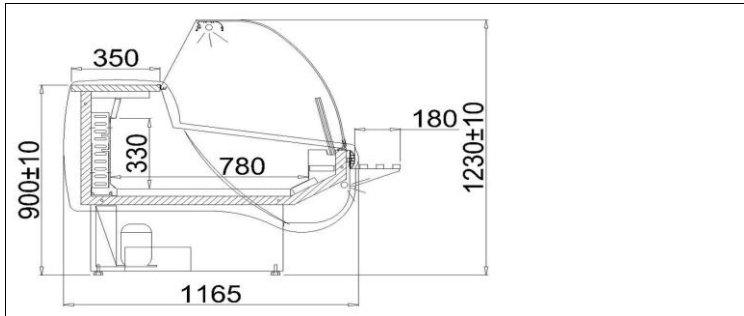


KINGA 2

Type: KINGA 2/1.7W
ID: KI102W



Management Service
ISO 9001: 2000

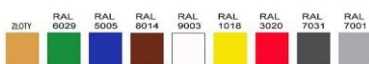


STANDARD

- internal refrigerating unit
- external housing of stainless zinc plated plate, powder painted - color white
- chamber interior made of stainless plate
- exposition area of stainless plate
- aluminium sections - color selection possible - silver / gold
- electronic control with digital temperature display
- forced air circulation
- automatic defrosting
- automatic condensate vaporization
- sound alarm indicating condenser impurity or fan operation failure*
- front panel warm air blast
- light - "meat" fluorescent lamp
- bins
- work surface - granite, grey
- night roller blinds
- ecological polyurethane foam insulation
- side panels of ABS plastic - color selection possible
- front fender - color selection possible
- device levelling stands

Colour scheme

Paint colors



Base fender colors



ABS sides



Aluminium sections colors



Technical parameters

Cooling factor	R507
Length with sides [mm]	1680
Depth [mm]	1165
Side thickness [mm]	40
Cooling power [W]	1083
Rated power [W]	1460
Rated power of heaters [W]	165
Rated power of lighting [W]	36
Rated voltage [V]	230/50Hz
Maximum load of one shelf [kg/linear metre]	30
Usable capacity of cold chamber [dm ³]	300
Cooling area of shelves [m ²]	1,2
Evaporation temperature To [°C]	-30
Unit weight [kg]	220
Height [mm]	1230+/-10
Range of temperature [°C]	-10/-18
Electricity consumption [kWh/24h]	23,3

Additional options add. cost

- work surface - granite, Balmoral
- work surface - stainless plate, insulated
- base fender - color selection possible
- extra charge on front panel and/or base colour - colour selection possible
- front panel with lightning - plexiglass color selection possible
- temperature recorder *
- front shelf for client
- passing shelf - from stainless plate to glass

-Air temperature + 25 °C, air humidity 65% -Data alteration reserved * -only using IGLOO thermostat

Zakład Elektromechaniki Chłodniczej "IGLOO"

32-700 Bochnia, ul. Kazimierza Wielkiego 13

tel.: +48 14/ 662 19 10, fax: +48 14/ 662 19 12, e-mail: info@igloo.com.pl

