

Z.E.Ch. IGLOO product catalogue, group: Chill counters and pods

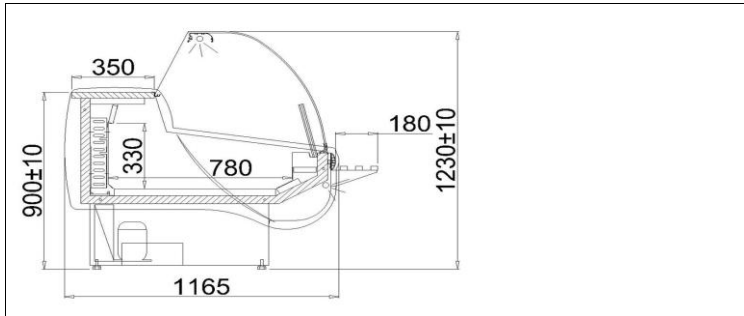


KINGA 2

Type: KINGA 2/2.5W
ID: KI104W



Management Service
ISO 9001: 2000

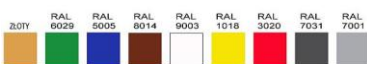


STANDARD

- internal refrigerating unit
- external housing of stainless zinc plated plate, powder painted - color white
- chamber interior made of stainless plate
- exposition area of stainless plate
- aluminium sections - color selection possible - silver / gold
- electronic control with digital temperature display
- forced air circulation
- automatic defrosting
- automatic condensate vaporization
- sound alarm indicating condenser impurity or fan operation failure*
- front panel warm air blast
- light - "meat" fluorescent lamp
- bins
- work surface - granite, grey
- night roller blinds
- ecological polyurethane foam insulation
- side panels of ABS plastic - color selection possible
- front fender - color selection possible
- device levelling stands

Colour scheme

Paint colors



ABS sides



KOLOR WG WZORNIKA IGLOO

Base fender colors



KOLOR WG WZORNIKA IGLOO

Aluminium sections colors



KOLOR WG WZORNIKA IGLOO

Technical parameters

Cooling factor	R507
Length with sides [mm]	2460
Depth [mm]	1165
Side thickness [mm]	40
Cooling power [W]	1235
Rated power [W]	1704
Rated power of heaters [W]	264
Rated power of lighting [W]	60
Rated voltage [V]	230/50Hz
Maximum load of one shelf [kg/linear metre]	30
Usable capacity of cold chamber [dm ³]	400
Cooling area of shelves [m ²]	1,6
Evaporation temperature To [°C]	-30
Unit weight [kg]	270
Height [mm]	1230+/-10
Range of temperature [°C]	-10/-18
Electricity consumption [kWh/24h]	27,3

Additional options add. cost

- work surface - granite, Balmoral
- work surface - stainless plate, insulated
- base fender - color selection possible
- extra charge on front panel and/or base colour - colour selection possible
- front panel with lightning - plexiglass color selection possible
- temperature recorder *
- front shelf for client
- passing shelf - from stainless plate to glass

-Air temperature + 25 °C, air humidity 65% -Data alteration reserved * -only using IGLOO thermostat

Zakład Elektromechaniki Chłodniczej "IGLOO"

32-700 Bochnia, ul. Kazimierza Wielkiego 13

tel.: +48 14/ 662 19 10, fax: +48 14/ 662 19 12, e-mail: info@igloo.com.pl

