

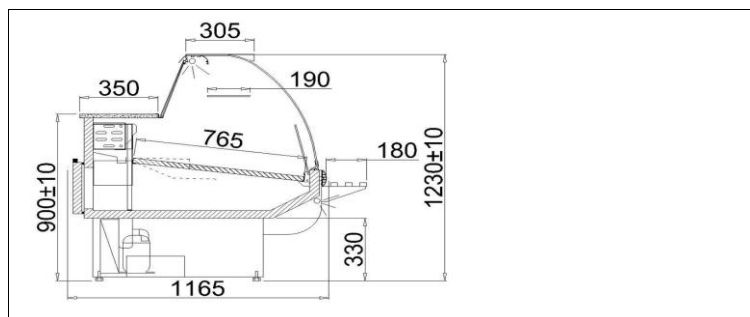


BASIA 2 (S) - MOD/A

Type: *BASIA 2/1.7S-*
mod/A
ID:BA102-a



Management Service
ISO 9001: 2000

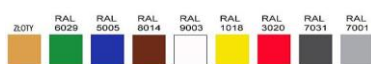


STANDARD

- device available for line setup
- internal refrigerating unit
- external housing made of zinc coated plate powder painted - white
- storage chamber made of stainless plate
- exposition area made of stainless plate
- aluminium sections - color selection possible - silver/gold
- electronic control with digital temperature display
- gravitational cooling
- automatic defrosting
- condensate outlet to container
- sound alarm indicating condenser impurity or fan operation failure*
- front panel warm air blast
- work surface - granite, grey
- high front panel - bent removable
- light - "meat" fluorescent lamp
- night roller blind
- back door
- ecological polyurethane foam insulation
- front fender - color selection possible
- device levelling stands
- * only using IGLOO thermostat

Colour scheme

Paint colors



Base fender colors



Aluminium sections colors



Plexiglass colors



ABS sides



Technical parameters

Cooling factor	R134a
Length without sides [mm]	1590
Depth[mm]	1165
Side thickness [mm]	40
Cooling power [W]	530
Rated power [W]	333
Rated power of lighting [W]	36
Rated voltage [V]	230/50Hz
Shelf load [kg/linear metre]	50
Usable capacity of cold chamber [dm ³]	270
Cooling area of shelves [m ²]	1,2
Evaporation temperature To [°C]	-15
Unit weight [kg]	173
Height [mm]	1230+/-10
Range of temperature [°C]	+2/+8
Cooling power demand [W/linear metre]	350
Electricity consumption [kWh/24h]	5,3

Additional chooser options

- light - "white" fluorescent lamp
- light - "confectionery" fluorescent lamp

Additional options add. cost

- automatic condensate vaporization
- work surface - granite, Balmoral
- side panels of ABS plastic - color selection possible
- front panel with light - Plexiglas color selection possible
- extra charge on front panel and/or base colour - colour selection possible
- base fender - color selection possible
- temperature recorder *
- plug with fuse
- front shelf for client
- exposition shelf of glass
- step exposition shelf (2 or 3 steps)
- reticulated shelf - white, plastified
- passing shelf - from stainless plate to glass
- Fixed vertical barrier (from the length of 1,7 up to 2,5)
- movable glass partition