



GRENADA SP NW - MOD/C

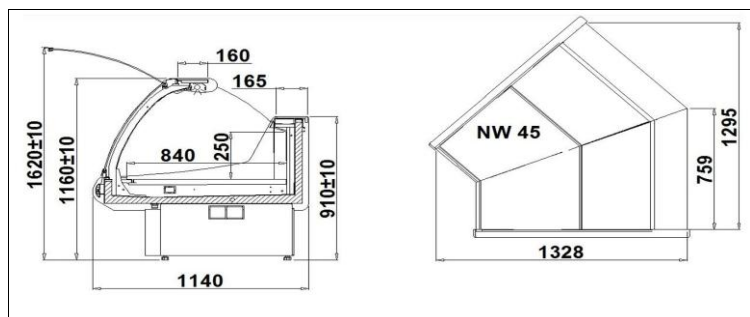
Type: *GRENADA NW*

45SP-mod/C

ID:GR103SP



Management Service
ISO 9001: 2000



STANDARD

- device available for line setup
- powered only by external refrigerating unit
- external housing made of zinc coated plate powder painted - white
- exposition area made of zinc plated plate coated with polyester - color white
- aluminium sections - color selection possible - silver/gold
- electronic control with digital temperature display
- dynamic cooling
- automatic defrosting
- Condensation water drain outside
- work surface - stainless plate, insulated
- front panel lifting telescopic system
- light - "meat" fluorescent lamp
- ecological polyurethane foam insulation
- front fender - color selection possible
- device levelling stands

Colour scheme

Paint colors



Base fender colors



Aluminium sections colors



Plexiglass colors



ABS sides



Technical parameters

Cooling factor	R507
Length without sides [mm]	1320/1280
Depth[mm]	1140
Side thickness [mm]	50
Rated power [W]	132
Rated power of electric heater [W]	60
Rated power of evaporator heater [W]	160
Rated power of lighting [W]	30
Rated voltage [V]	230/50Hz
Shelf load [kg/linear metre]	80
Usable capacity [dm ³]	280
Cooling area of shelves [m ²]	0,87
Evaporation temperature To [°C]	-10
Unit weight [kg]	115
Height [mm]	1160+/-10
Range of temperature [°C]	+2/+8
Cooling power demand [W/linear metre]	500
Electricity consumption [kWh/24h]	2,1

Additional chooser options

- front shelf for client

Additional options add. cost

- external housing made of stainless plate
- GRENADA NW45 exposition space from stainless metal sheet
- GRENADA NW45 exposition space from stainless, acid-resistant metal sheet
- light - "white" fluorescent lamp
- light - "confectionery" fluorescent lamp
- night roller blind
- side panels of ABS plastic - color selection possible
- extra charge on front panel and/or base colour - colour selection possible
- temperature recorder *
- plug with fuse
- movable glass partition
- movable table for scales or cutter
- movable table for knives
- hanger for towels