

Z.E.Ch. IGLOO product catalogue, group: Confectionery display cases



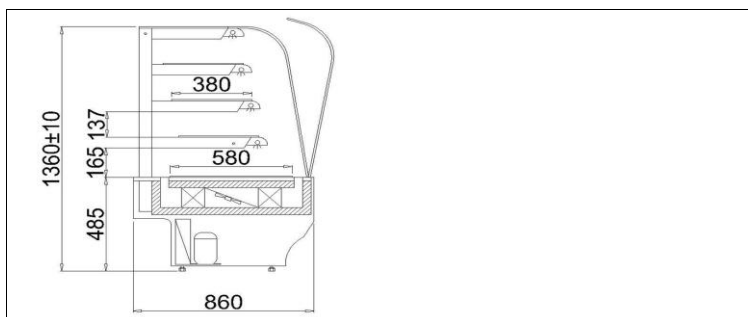
TA (W)

:MARTA 1.3W

101



Management Service
ISO 9001: 2000



STANDARD

- device designed for line setup
- internal refrigeration unit
- wooden casing - color selection possible (IGLOO template)
- aluminium sections - color selection possible - silver / gold
- electronic controller with digital temperature display
- dynamic cooling
- automatic defrosting
- automatic condensate vaporization
- sound alarm indicating condenser impurity or fan operation failure*
- humidity control system
- front panel warm air blast
- high front panel, bent, removable
- light - "confectionery" fluorescent lamp
- light for each shelf
- back sliding door with combined glass, self-closing
- ecological polyurethane foam insulation
- device levelling stands
- small tray
- large tray

Colour scheme

Wood colors



Aluminium sections colors



Technical parameters

Cooling factor	R507
Length with sides[mm]	1400
Depth[mm]	860
Side thickness [mm]	40
Cooling power [W]	793
Rated power [W]	803
Rated power of lighting [W]	108
Rated voltage [V]	230/50Hz
Shelf load [kg/linear metre]	10
Usable capacity [dm ³]	440
Cooling area of shelves [m ²]	2,1
Evaporation temperature To [°C]	-10
Unit weight [kg]	250
Height [mm]	1360+/-10
Range of temperature [°C]	+4/+15
Electricity consumption [kWh/24h]	13,2

Additional chooser options

- device designed for individual setup
- power by external refrigerating unit possible
- temperature recorder *

-Air temperature + 25 °C, air humidity 65% -Data alteration reserved * -only using IGLOO thermostat

Zakład Elektromechaniki Chłodniczej "IGLOO"

32-700 Bochnia, ul. Kazimierza Wielkiego 13

tel.: +48 14/ 662 19 10, fax: +48 14/ 662 19 12, e-mail:info@igloo.com.pl