

# Z.E.Ch. IGLOO product catalogue, group: Confectionery display cases



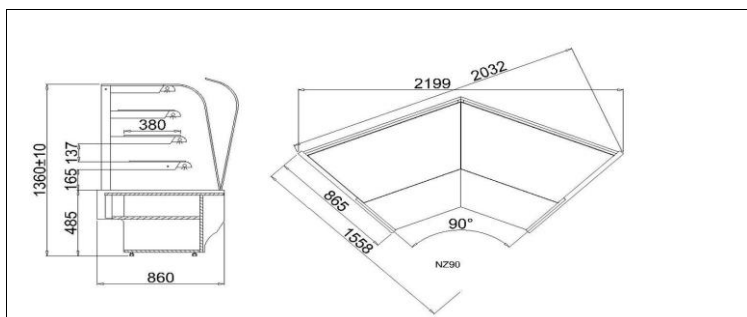
**MARTA NZ (N)**

Type: *MARTA NZ90 N*

ID: **MA103N**



Management Service  
**ISO 9001: 2000**



## STANDARD

- device designed for line setup
- device designed for individual setup
- wooden casing - color selection possible (IGLOO template)
- aluminium sections - color selection possible - silver / gold
- high front panel, bent, made of hardened glass
- light - "confectionery" fluorescent lamp
- light for each shelf
- device levelling stands

## Colour scheme

### Wood colors



### Aluminium sections colors



## Technical parameters

Length with sides [mm]	2100
Depth [mm]	860
Side thickness [mm]	40
Rated power [W]	120
Rated power of lighting [W]	120
Rated voltage [V]	230/50Hz
Shelf load [kg/linear metre]	10
Usable capacity [dm <sup>3</sup> ]	300
Area of shelves [m <sup>2</sup> ]	1,6
Unit weight [kg]	160
Height [mm]	1360+/-10
Range of temperature [°C]	neutralna
Electricity consumption [kWh/24h]	2,0

-Air temperature + 25 °C, air humidity 65% -Data alteration reserved \* -only using IGLOO thermostat

Zakład Elektromechaniki Chłodniczej "IGLOO"

32-700 Bochnia, ul. Kazimierza Wielkiego 13

tel.: +48 14/ 662 19 10, fax: +48 14/ 662 19 12, e-mail: info@igloo.com.pl

