



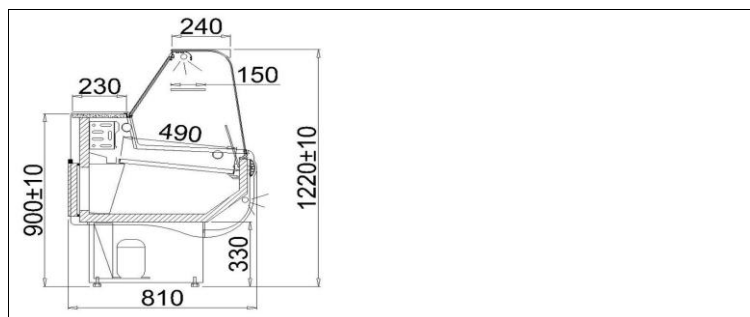
MONIKA 2

Type: MONIKA 2/1.3

ID: MO101



Management Service
ISO 9001: 2000

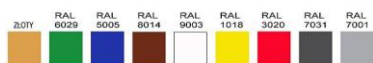


STANDARD

- internal refrigerating unit
- external housing made of zinc coated plate powder painted - white
- storage chamber made of stainless plate
- exposition area made of stainless plate
- aluminium sections - color selection possible - silver/gold
- electronic control with digital temperature display
- gravitational cooling
- automatic defrosting
- condensate outlet to container
- sound alarm indicating condenser impurity or fan operation failure*
- front panel warm air blast
- work surface - granite, grey
- high front panel - bent removable
- light - "meat" fluorescent lamp
- night roller blind
- back door
- ecological polyurethane foam insulation
- side panels of ABS plastic - color selection possible
- extra charge on front panel and/or base colour - colour selection possible
- front fender - color selection possible
- device levelling stands

Colour scheme

Paint colors



Base fender colors



Aluminium sections colors



Plexiglass colors



KOLOR WG WZORNIKA IGLOO

ABS sides



KOLOR WG WZORNIKA IGLOO

Technical parameters

Cooling factor	R134a
Length with sides [mm]	1310
Depth [mm]	810
Side thickness [mm]	40
Cooling power [W]	371
Rated power [W]	239
Rated power of lighting [W]	30
Rated voltage [V]	230/50Hz
Shelf load [kg/linear metre]	50
Usable capacity of cold chamber [dm ³]	210
Cooling area of shelves [m ²]	0,6
Evaporation temperature To [°C]	-15
Unit weight [kg]	130
Height [mm]	1220+/-10
Range of temperature [°C]	+2/+8
Cooling power demand [W/linear metre]	280
Electricity consumption [kWh/24h]	3,8

Additional chooser options

- work surface - stainless plate, insulated
- light - "white" fluorescent lamp
- light - "confectionery" fluorescent lamp

Additional options add. cost

- automatic condensate vaporization
- work surface - granite, Balmoral
- front panel with light - Plexiglas color selection possible
- base fender - color selection possible
- temperature recorder *
- plug with fuse
- front shelf for client
- exposition shelf of glass
- reticulated shelf - white, plastified
- passing shelf - from stainless plate to glass
- Fixed vertical barrier (from the length of 1,7 up to 2,5)
- movable glass partition

-Air temperature + 25 °C, air humidity 65% -Data alteration reserved * -only using IGLOO thermostat