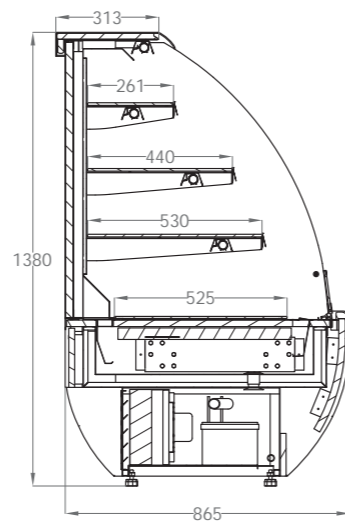




Easy access to the exposed products.

Jamajka Open

This is an addition to the well-known series of our products JAMAJKA. To already known to our customers, versions : cooling, neutral and heating now we added new version - OPEN with access from the client side. The device has been made without the front glass, which allows customers easy access to the exposed products. Modern design and optional housing: trend, retro, or stainless steel shows completely new face of this device.



Jamajka Open

+8/+15 °C

Device name	JAMAJKA 0.6 W OPEN	JAMAJKA 0.9 W OPEN	JAMAJKA 1.3 W OPEN
Device ID	JA1030	JA1020	JA1010
Length [mm]	700	1000	1400
Weight [kg]	90	140	190
Cooling area of shelves [m2]	1,02	1,57	2,3
Usable capacity [dm3]	264	396	572
Rated Power [W]	510	675	1080
Electricity consumption [kWh/24h]	7,7	10,1	16,2



Jamajka Open mod/A

+8/+15 °C

Device name	JAMAJKA 0.6 W OPEN mod/A	JAMAJKA 0.9 W OPEN mod/A	JAMAJKA 1.3 W OPEN mod/A
Device ID	JA1030-a	JA1020-a	JA1010-a
Length [mm]	605	905	1305
Weight [kg]	80	130	180
Cooling area of shelves [m2]	1,02	1,57	2,3
Usable capacity [dm3]	264	396	572
Rated Power [W]	510	675	1080
Electricity consumption [kWh/24h]	7,7	10,1	16,2



Jamajka Open mod/C

+8/+15 °C

Device name	JAMAJKA 0.6 W OPEN mod/C	JAMAJKA 0.9 W OPEN mod/C	JAMAJKA 1.3 W OPEN mod/C
Device ID	JA1030-c	JA1020-c	JA1010-c
Length [mm]	605	905	1305
Weight [kg]	70	120	170
Cooling area of shelves [m2]	1,02	1,57	2,3
Usable capacity [dm3]	264	396	572
Rated power of lighting [W]	60	72	144



Standard equipment	Jamajka Open	Jamajka Open mod/A	Jamajka Open mod/C
internal refrigeration unit	•	•	-
dynamic cooling	•	•	•
wooden front - color selection possible (IGLOO - pattern book)	•	•	•
side panels - color selection possible (IGLOO - pattern book)	•	-	-
ecological polyurethane foam insulation	•	•	•
internal frame painted (gold or silver)	•	•	•
internal element painted - silver/gold	•	•	•
bottom wooden shelf - color selection possible (IGLOO - pattern book)	•	•	•
back of the device made of zinc coated plate painted (gold or silver)	•	•	•
every shelf illumination - yellow fluorescent lamp	•	•	•
exposition glass shelves height and installation angle adjustment possibility	•	•	•
price strips - color selection possible	•	•	•
device levelling stands	•	•	•
automatic defrosting	•	•	•
automatic condensate vaporization	•	•	-
electronic controller with digital temperature display	•	•	•
sound alarm indicating condenser impurity or fan operation failure*	•	•	-

Option ID		
606	External housing (stainless steel)	
405	wooden side panels - color selection possible (IGLOO - pattern book)	
3004	device designed for individual multiplexing (without external housing)	
1702	internal frame and internal element made of stainless steel JAMAJKA 0.6 W OPEN	
1703	internal frame and internal element made of stainless steel JAMAJKA 0.9 W OPEN	
1704	internal frame and internal element made of stainless steel JAMAJKA 1.3 W OPEN	
1136	exposition shelves made of painted plate (gold or silver)	
1137	stainless steel exposition shelves	
1138	bottom shelf made of stainless steel	
1155	back of the device made of stainless steel	
812	white fluorescent light	
820	LED illumination (confectionary)	
821	LED illumination (white)	
510	temperature recorder *	
515	temperature recording conductor (RS232 - USB)	

* only using IGLOO thermostat - Air temperature + 25 oC, air humidity 65%