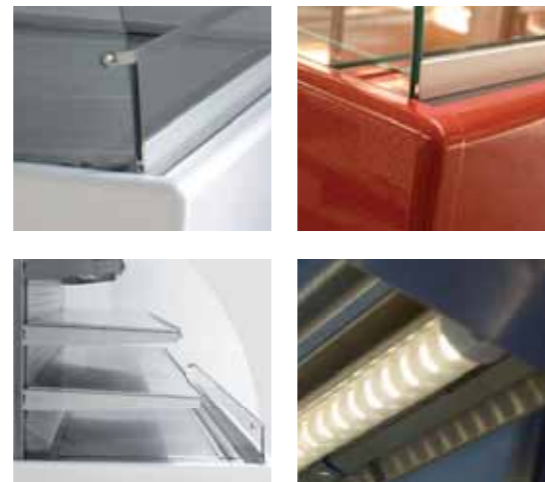
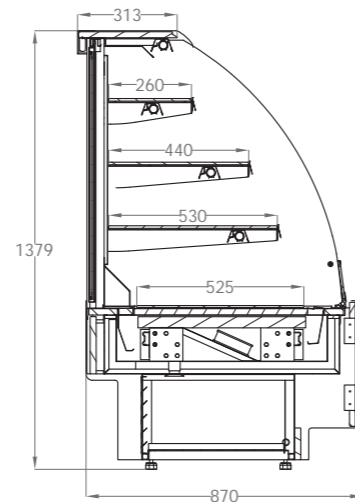




# Jamajka Open TREND

Modern counter design for self service. Dedicated for modern shops. It features an automatic defrost, humidity control and forced cooling. All these features improves function and service.



Easy access to the exposed products.

## Jamajka Open TREND

+8/+15 °C

Device name	JAMAJKA 0.6 W OPEN TREND	JAMAJKA 0.9 W OPEN TREND	JAMAJKA 1.3 W OPEN TREND
Device ID	JA1030/TREND	JA1020/TREND	JA1010/TREND
Length [mm]	700	1000	1400
Weight [kg]	90	140	190
Cooling area of shelves [m2]	1,02	1,57	2,3
Usable capacity [dm3]	264	396	572
Rated Power [W]	510	675	1080
Electricity consumption [kWh/24h]	7,7	10,1	16,2



## Jamajka Open TREND Mod/A

+8/+15 °C

Device name	JAMAJKA 0.6 W OPEN mod/A TREND	JAMAJKA 0.9 W OPEN mod/A TREND	JAMAJKA 1.3 W OPEN mod/A TREND
Device ID	JA1030-a/TREND	JA1020-a/TREND	JA1010-a/TREND
Length [mm]	605	905	1305
Weight [kg]	80	130	180
Cooling area of shelves [m2]	1,02	1,57	2,3
Usable capacity [dm3]	264	396	572
Rated Power [W]	510	675	1080
Electricity consumption [kWh/24h]	7,7	10,1	16,2



## Jamajka Open TREND Mod/C

+8/+15 °C

Device name	JAMAJKA 0.6 W OPEN mod/C TREND	JAMAJKA 0.9 W OPEN mod/C TREND	JAMAJKA 1.3 W OPEN mod/C TREND
Device ID	JA1030-c/TREND	JA1020-c/TREND	JA1010-c/TREND
Length [mm]	605	905	1305
Weight [kg]	70	120	170
Cooling area of shelves [m2]	1,02	1,57	2,3
Usable capacity [dm3]	264	396	572
Rated power of lighting [W]	60	72	144



Standard equipment	Jamajka Open TREND	Jamajka Open mod/A TREND	Jamajka Open mod/C TREND
internal refrigeration unit	•	•	•
dynamic cooling	•	•	•
wooden front - color selection possible (IGLOO TREND - pattern book)	•	•	•
side panels - color selection possible (IGLOO - TREND pattern book)	•	-	-
ecological polyurethane foam insulation	•	•	•
internal frame painted (gold or silver)	•	•	•
internal element painted - silver/gold	•	•	•
bottom wooden shelf - color selection possible (IGLOO TREND - pattern book)	•	•	•
back of the device made of zinc coated plate painted (gold or silver)	•	•	•
every shelf illumination - yellow fluorescent lamp	•	•	•
exposition glass shelves - height and installation angle adjustment possibility	•	•	•
price strips - color selection possible	•	•	•
device levelling stands	•	•	•
automatic defrosting	•	•	•
automatic condensate vaporization	•	•	-
electronic controller with digital temperature display	•	•	•

Option ID	Option name	
405	Wooden side panels - color selection possible (IGLOO TREND - pattern book)	
3004	device designed for individual multiplexing (without external housing)	
1702	internal frame and internal element made of stainless steel JAMAJKA 0.6 W OPEN	
1703	internal frame and internal element made of stainless steel JAMAJKA 0.9 W OPEN	
1704	internal frame and internal element made of stainless steel JAMAJKA 1.3 W OPEN	
1136	exposition shelves made of painted plate (gold or silver)	
1137	stainless steel exposition shelves	
1138	bottom shelf made of stainless steel	
1155	back of the device made of stainless steel	
812	white fluorescent light	
820	LED illumination (confectionary)	
821	LED illumination (white)	
822	optical fibre variable color front panel illumination	
510	temperature recorder *	
515	temperature recording conductor (RS232 - USB)	

\* only using IGLOO thermostat - Air temperature + 25 oC, air humidity 65%