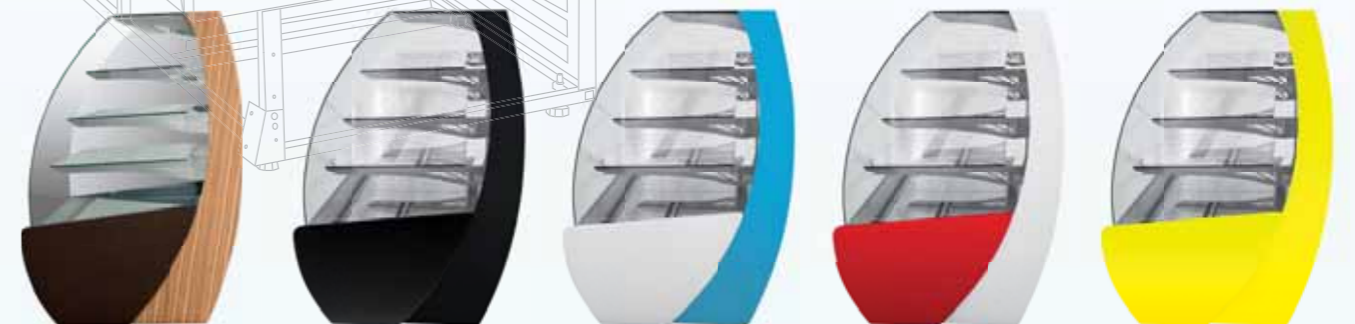
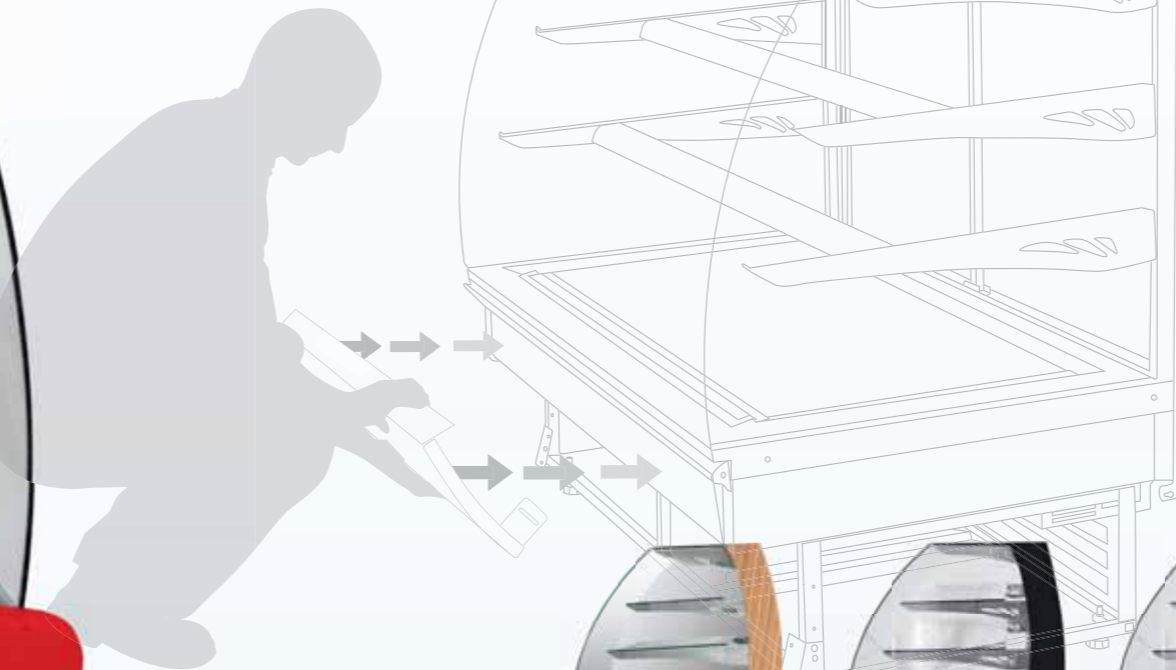


* IGLOO

pastry display counter Kameleo



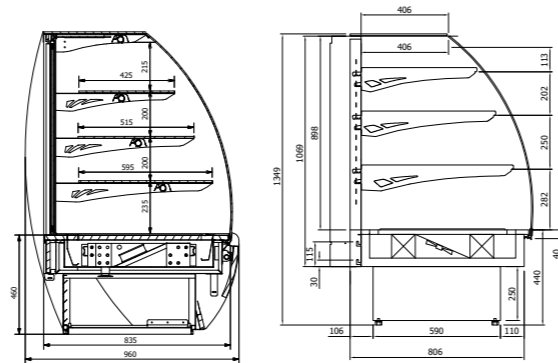
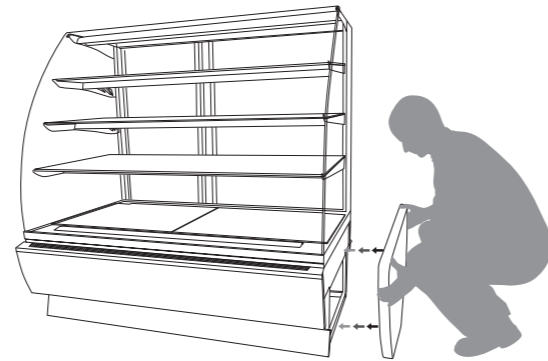
New IGLOO device dedicated to confectionery industry, and a worthy successor of JAMAJKA and MARTA - current best-sellers in this sector. Kameleo has even bigger exposition area, modern design and revolutionary system for housing change „Kameleo”, which allows you to easily, without using any tools, replace a complete housing of the device (the sides, front panel, etc.). When we were designing Kameleo we have focused our attention on saving energy. LED lighting as a standard equipment and efficient cooling system guarantees even lower power consumption.





Customize Your Kameleo
by choosing colors
of each part of device

Kameleo



Kameleo

+5/+15 °C

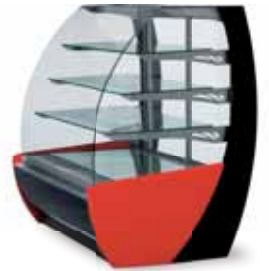
| Device name | KAMELEO 0.6 | KAMELEO 0.9 | KAMELEO 1.3 |
|------------------------------------|-------------|-------------|-------------|
| Device ID | JA103K | JA102K | JA101K |
| Length [mm] | 700 | 1000 | 1400 |
| Weight [kg] | 120 | 170 | 220 |
| Usable capacity [dm ³] | 334 | 496 | 715 |
| Shelf area [m ²] | 1,2 | 1,8 | 2,6 |
| Rated Power [W] | 430 | 600 | 930 |
| Electricity consumption [kWh/24h] | 6,0 | 8,3 | 12,8 |



Kameleo Mod/A

+5/+15 °C

| Device name | KAMELEO 0.6-mod/A | KAMELEO 0.9-mod/A | KAMELEO 1.3-mod/A |
|------------------------------------|-------------------|-------------------|-------------------|
| Device ID | JA103K-a | JA102K-a | JA101K-a |
| Length [mm] | 605 | 905 | 1305 |
| Weight [kg] | 110 | 160 | 210 |
| Usable capacity [dm ³] | 334 | 496 | 715 |
| Shelf area [m ²] | 1,2 | 1,8 | 2,6 |
| Rated Power [W] | 430 | 600 | 930 |
| Electricity consumption [kWh/24h] | 6,0 | 8,3 | 12,8 |



Kameleo Mod/C

+5/+15 °C

| Device name | KAMELEO 0.6-mod/C | KAMELEO 0.9-mod/C | KAMELEO 1.3-mod/C |
|------------------------------------|-------------------|-------------------|-------------------|
| Device ID | JA103K-c | JA102K-c | JA101K-c |
| Length [mm] | 605 | 905 | 1305 |
| Weight [kg] | 90 | 140 | 190 |
| Usable capacity [dm ³] | 334 | 496 | 715 |
| Shelf area [m ²] | 1,2 | 1,8 | 2,6 |
| LED Rated Power [W] | 12 | 16 | 32 |



| Standard equipment | Kameleo | Kameleo mod/A | Kameleo mod/C |
|--|---------|---------------|---------------|
| internal refrigeration unit | • | • | - |
| dynamic cooling | • | • | - |
| wooden front - color selection possible (IGLOO - KAMELEO pattern book) | • | • | • |
| small and thin side panels - color selection possible (IGLOO - KAMELEO pattern book) | • | - | - |
| ecological polyurethane foam insulation | • | • | • |
| back spreading door with combined glass (in KAMELEO 0.6) - choice of direction of door opening | • | • | • |
| back sliding door with combined glass (in KAMELEO 0.9, KAMELEO 1.3) | • | • | • |
| internal frame painted (gold or silver) | • | • | • |
| exposition shelves height and installation angle adjustment possibility | • | • | • |
| bottom shelf made of stainless steel | • | • | • |
| high front glass, bent, tilted | • | • | • |
| front glass warm air blast | • | • | • |
| LED illumination of every shelf | • | • | • |
| device levelling stands | • | • | • |
| automatic defrosting | • | • | • |
| automatic condensate vaporization | • | • | - |
| electronic controller with digital temperature display | • | • | • |
| sound alarm indicating condenser impurity or fan operation failure* | • | • | - |

| Option ID | Option name |
|-----------|--|
| 3004 | device designed for individual multiplexing (without external housing) |
| 404 | small side panels and thin side panels - color selection possible (IGLOO - KAMELEO pattern book) - in KAMELEO mod/A, KAMELEO mod/C |
| 609 | front panel - color selection possible (IGLOO - KAMELEO pattern book) |
| 610 | small side panels - color selection possible (IGLOO - KAMELEO pattern book) |
| 611 | thin side panels - color selection possible (IGLOO - KAMELEO pattern book) |
| 1702 | internal frame made of stainless steel KAMELEO 0.6 |
| 1703 | internal frame made of stainless steel KAMELEO 0.9 |
| 1704 | internal frame made of stainless steel KAMELEO 1.3 |
| 510 | temperature recorder * |
| 515 | temperature recording conductor (RS232 - USB) |
| 505 | humidity control system |
| 1132 | small tray (400x420) |
| 1133 | medium tray (400x510) |
| 1134 | big tray (400x590) |
| 1135 | bottom tray (400x520) |

* only using IGLOO thermostat - Air temperature + 25 oC, air humidity 65%