



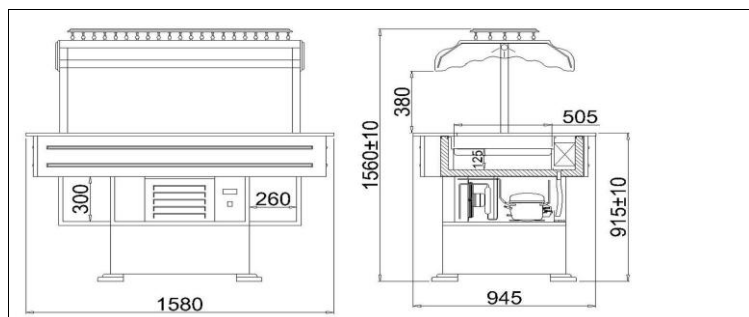
**SYLWIA**

Type: SYLWIA

ID: SY100



Management Service  
ISO 9001: 2000



### STANDARD

- exposition area of stainless plate
- internal refrigerating unit
- wooden casing - color selection possible (IGLOO template)
- electronic controller with digital temperature display
- gravitational cooling
- automatic defrosting
- automatic condensate vaporization
- sound alarm indicating condenser impurity or fan operation failure\*
- work surface - granite, grey
- light - "white" fluorescent lamp
- ecological polyurethane foam insulation

### Colour scheme

#### Wood colors



#### Granite colors



### Technical parameters

Cooling factor	R134a
Length [mm]	1580
Depth [mm]	945
Cooling power [W]	419
Rated power [W]	245
Rated power of lighting [W]	36
Rated voltage [V]	230/50Hz
Usable capacity of cold chamber [dm <sup>3</sup> ]	80
Cooling area [m <sup>2</sup> ]	0,65
Evaporation temperature To [°C]	-10
Unit weight [kg]	130
Height [mm]	1560+/-10
Range of temperature [°C]	+2/+8
Electricity consumption [kWh/24h]	2,9

### Additional chooser options

- GN 1/1 catering containers - available depth 40 mm
- GN 1/4 catering containers - available depth 65 mm

### Additional options add. cost

- work surface - granite, Balmoral
- light - "confectionery" fluorescent lamp