

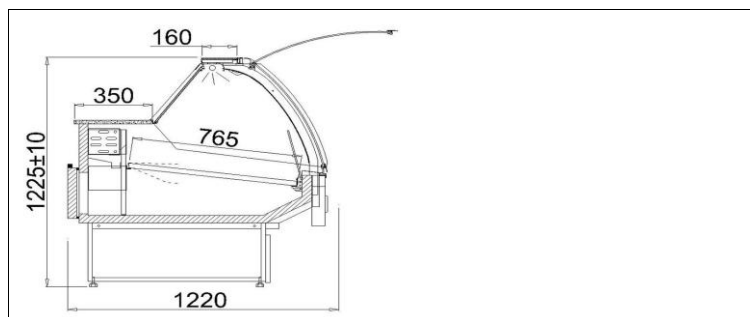


SANTIAGO (S) - MOD/C DRE

Type: SANTIAGO 1.1S-
mod/C DRE
ID:SA100-c/DRE



Management Service
ISO 9001: 2000

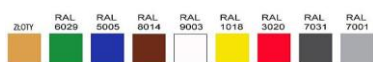


STANDARD

- powered only by external refrigerating unit
- external housing made of zinc coated plate powder painted - white
- storage chamber made of stainless plate
- exposition area made of stainless plate
- Wooden case (appliance front) – colour-choice option (IGLOO pattern book)
- electronic control with digital temperature display
- gravitational cooling
- automatic defrosting
- condensate outlet to container
- front panel warm air blast
- work surface - granite, grey
- front panel lifting telescopic system
- light - "meat" fluorescent lamp
- night roller blind
- ecological polyurethane foam insulation
- device levelling stands

Colour scheme

Paint colors



ABS sides



KOLOR WG WZORNIKA IGLOO

Base fender colors



KOLOR WG WZORNIKA IGLOO

Aluminium sections colors



KOLOR WG WZORNIKA IGLOO

Technical parameters

Cooling factor	-
Length without sides [mm]	960
Depth[mm]	1220
Side thickness [mm]	50
Cooling power [W]	-
Rated power [W]	18
Rated power of lighting [W]	18
Rated voltage [V]	230/50Hz
Shelf load [kg/linear metre]	50
Usable capacity of cold chamber [dm ³]	170
Cooling area of shelves [m ²]	0,8
Evaporation temperature To [°C]	-15
Unit weight [kg]	115
Height [mm]	1225+/-10
Range of temperature [°C]	+2/+8
Cooling power demand [W/linear metre]	350
Electricity consumption [kWh/24h]	0,3

Additional chooser options

- light - "white" fluorescent lamp
- light - "confectionery" fluorescent lamp

Additional options add. cost

- Wooden sides - colour-choice option (IGLOO pattern book)
- work surface - granite, Balmoral
- temperature recorder *
- plug with fuse
- step exposition shelf (2 or 3 steps)
- Fixed vertical barrier (from the length of 1,7 up to 2,5)
- movable glass partition