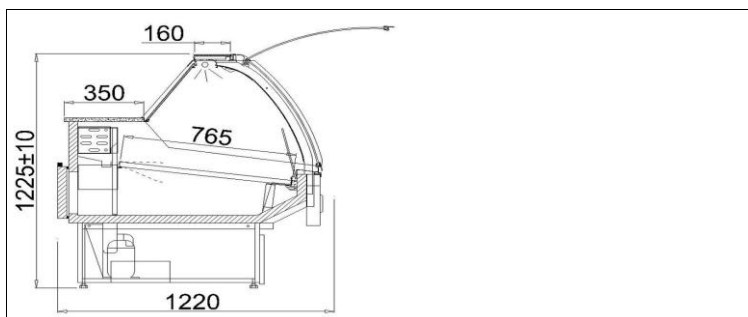


SANTIAGO (W) - MOD/A DRE

Type: SANTIAGO 1.1W-mod/A DRE
ID: SA100W-a/DRE



ISO 9001: 2000

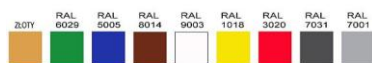


STANDARD

- device available for line setup
- internal refrigerating unit
- external housing made of zinc coated plate powder painted - white
- storage chamber made of stainless plate
- exposition area made of stainless plate
- Wooden case (appliance front) – colour-choice option (IGLOO pattern book)
- aluminium sections - color selection possible - silver/gold
- electronic control with digital temperature display
- dynamic cooling
- automatic defrosting
- condensate outlet to container
- sound alarm indicating condenser impurity or fan operation failure*
- front panel warm air blast
- work surface - granite, grey
- high front panel - bent from hardened glass
- front panel lifting telescopic system
- light - "meat" fluorescent lamp
- night roller blind
- back door
- ecological polyurethane foam insulation
- device levelling stands

Colour scheme

Paint colors



ABS sides



KOLOR WG WZORNIKA IGLOO

Base fender colors



KOLOR WG WZORNIKA IGLOO

Aluminium sections colors



KOLOR WG WZORNIKA IGLOO

Technical parameters

| | |
|--|-----------|
| Cooling factor | R134a |
| Length without sides [mm] | 960 |
| Depth [mm] | 1220 |
| Side thickness [mm] | 50 |
| Cooling power [W] | 419 |
| Rated power [W] | 241 |
| Rated power of lighting [W] | 18 |
| Rated voltage [V] | 230/50Hz |
| Shelf load [kg/linear metre] | 50 |
| Usable capacity of cold chamber [dm ³] | 170 |
| Cooling area of shelves [m ²] | 0,8 |
| Evaporation temperature To [°C] | -10 |
| Unit weight [kg] | 135 |
| Height [mm] | 1225+/-10 |
| Range of temperature [°C] | +2/+8 |
| Cooling power demand [W/linear metre] | 400 |
| Electricity consumption [kWh/24h] | 3,9 |

Additional chooser options

- light - "white" fluorescent lamp
- light - "confectionery" fluorescent lamp

Additional options add. cost

- Wooden sides - colour-choice option (IGLOO pattern book)
- automatic condensate vaporization
- work surface - granite, Balmoral
- temperature recorder *
- plug with fuse
- step exposition shelf (2 or 3 steps)
- Fixed vertical barrier (from the length of 1,7 up to 2,5)
- movable glass partition

-Air temperature + 25 °C, air humidity 65% -Data alteration reserved * -only using IGLOO thermostat