

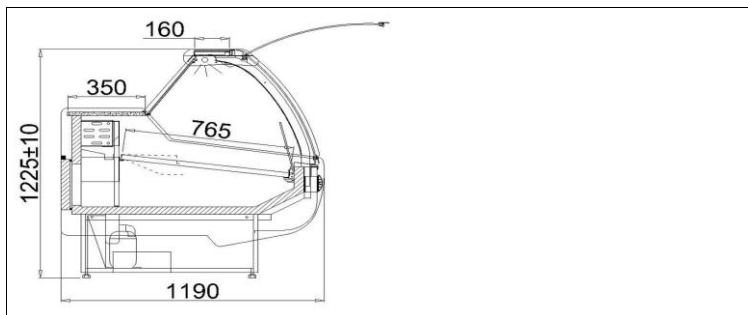


**SANTIAGO (W)**

Type: SANTIAGO 1.4W-  
mod/C  
ID:SA101W-c



Management Service  
ISO 9001: 2000

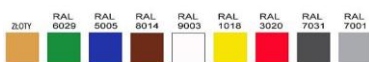


**STANDARD**

- internal refrigerating unit
- external housing made of zinc coated plate powder painted - white
- storage chamber made of stainless plate
- exposition area made of stainless plate
- aluminium sections - color selection possible - silver/gold
- electronic control with digital temperature display
- gravitational cooling
- automatic defrosting
- condensate outlet to container
- sound alarm indicating condenser impurity or fan operation failure\*
- front panel warm air blast
- work surface - granite, grey
- front panel lifting telescopic system
- light - "meat" fluorescent lamp
- night roller blind
- back door
- ecological polyurethane foam insulation
- side panels of ABS plastic - color selection possible
- front fender - color selection possible
- device levelling stands

**Colour scheme**

**Paint colors**



**Base fender colors**



**Granite colors**



**Aluminium sections colors**



**ABS sides**



**Technical parameters**

Cooling factor	-
Length, sides excluded [mm]	1290
Depth [mm]	1190
Side thickness [mm]	40
Cooling power [W]	519
Rated power [W]	363
Rated power of lighting [W]	30
Rated voltage [V]	230/50Hz
Shelf load [kg/linear metre]	50
Usable capacity of cold chamber [dm <sup>3</sup> ]	220
Cooling area of shelves [m <sup>2</sup> ]	1.0
Evaporation temperature To [°C]	-10
Unit weight [kg]	135
Height [mm]	1225+/-10
Range of temperature [°C]	+1/+10
Cooling power demand [W/linear metre]	400
Electricity consumption [kWh/24h]	0.7

**Additional chooser options**

- light - "white" fluorescent lamp
- light - "confectionery" fluorescent lamp
- front shelf for client

**Additional options add. cost**

- automatic condensate vaporization
- work surface - granite, Balmoral
- extra charge on front panel and/or base colour - colour selection possible
- temperature recorder \*
- plug with fuse
- step exposition shelf (2 or 3 steps)
- Fixed vertical barrier (from the length of 1,7 up to 2,5)
- movable glass partition

-Air temperature + 25 °C, air humidity 65% -Data alteration reserved \* -only using IGLOO thermostat

