

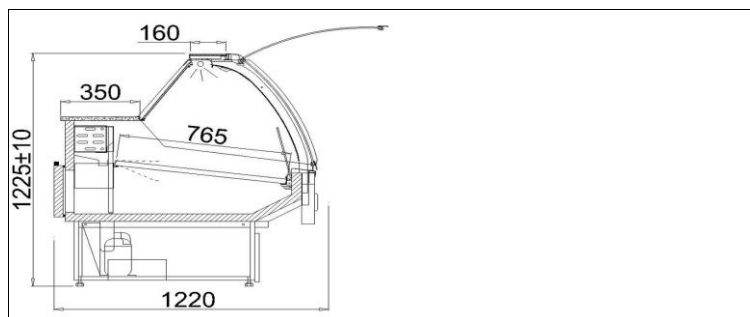


**SANTIAGO (S) - MOD/A DRE**

Type: SANTIAGO 1.7S-  
mod/A DRE  
ID: SA102-a/DRE



ISO 9001: 2000

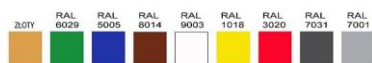


**STANDARD**

- device available for line setup
- internal refrigerating unit
- external housing made of zinc coated plate powder painted - white
- storage chamber made of stainless plate
- exposition area made of stainless plate
- Wooden case (appliance front) – colour-choice option (IGLOO pattern book)
- aluminium sections - color selection possible - silver/gold
- electronic control with digital temperature display
- gravitational cooling
- automatic defrosting
- condensate outlet to container
- sound alarm indicating condenser impurity or fan operation failure\*
- front panel warm air blast
- work surface - granite, grey
- high front panel - bent from hardened glass
- front panel lifting telescopic system
- light - "meat" fluorescent lamp
- night roller blind
- back door
- ecological polyurethane foam insulation
- device levelling stands

**Colour scheme**

**Paint colors**



**Base fender colors**



KOLOR WG WZORNIKA IGLOO

**ABS sides**



KOLOR WG WZORNIKA IGLOO

**Aluminium sections colors**



KOLOR WG WZORNIKA IGLOO

**Technical parameters**

Cooling factor	R134a
Length without sides [mm]	1590
Depth [mm]	1220
Side thickness [mm]	50
Cooling power [W]	530
Rated power [W]	333
Rated power of lighting [W]	36
Rated voltage [V]	230/50Hz
Shelf load [kg/linear metre]	50
Usable capacity of cold chamber [dm <sup>3</sup> ]	270
Cooling area of shelves [m <sup>2</sup> ]	1,2
Evaporation temperature To [°C]	-15
Unit weight [kg]	185
Height [mm]	1225+/-10
Range of temperature [°C]	+2/+8
Cooling power demand [W/linear metre]	350
Electricity consumption [kWh/24h]	5,3

**Additional chooser options**

- light - "white" fluorescent lamp
- light - "confectionery" fluorescent lamp

**Additional options add. cost**

- Wooden sides - colour-choice option (IGLOO pattern book)
- automatic condensate vaporization
- work surface - granite, Balmoral
- temperature recorder \*
- plug with fuse
- step exposition shelf (2 or 3 steps)
- Fixed vertical barrier (from the length of 1,7 up to 2,5)
- movable glass partition