

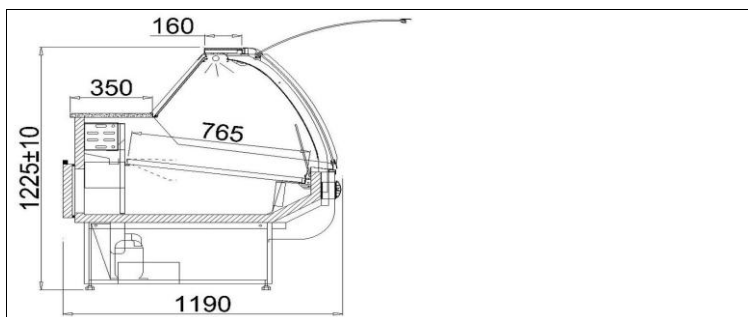


**SANTIAGO (W) - MOD/A**

Type: SANTIAGO 1.7W-  
mod/A  
ID:SA102W-a



Management Service  
ISO 9001: 2000

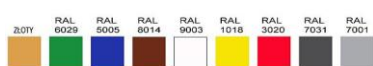


**STANDARD**

- device available for line setup
- internal refrigerating unit
- external housing made of zinc coated plate powder painted - white
- storage chamber made of stainless plate
- exposition area made of stainless plate
- aluminium sections - color selection possible - silver/gold
- electronic control with digital temperature display
- dynamic cooling
- automatic defrosting
- condensate outlet to container
- sound alarm indicating condenser impurity or fan operation failure\*
- front panel warm air blast
- work surface - granite, grey
- high front panel - bent from hardened glass
- front panel lifting telescopic system
- light - "meat" fluorescent lamp
- night roller blind
- back door
- ecological polyurethane foam insulation
- front fender - color selection possible
- device levelling stands

**Colour scheme**

**Paint colors**



**Base fender colors**



**Granite colors**



**Aluminium sections colors**



**ABS sides**



**Technical parameters**

|  |           |
|--|-----------|
| Cooling factor                                     | R134a     |
| Length without sides [mm]                          | 1590      |
| Depth[mm]  | 1190      |
| Side thickness [mm]                                | 40        |
| Cooling power [W]                                  | 605       |
| Rated power [W]                                    | 363       |
| Rated power of lighting [W]                        | 36        |
| Rated voltage [V]                                  | 230/50Hz  |
| Shelf load [kg/linear metre]                       | 50        |
| Usable capacity of cold chamber [dm <sup>3</sup> ] | 270       |
| Cooling area of shelves [m <sup>2</sup> ]          | 1,2       |
| Evaporation temperature To [°C]                    | -10       |
| Unit weight [kg]                                   | 178       |
| Height [mm]  | 1225+/-10 |
| Range of temperature [°C]                          | +2/+8     |
| Cooling power demand [W/linear metre]              | 400       |
| Electricity consumption [kWh/24h]                  | 5,8       |

**Additional chooser options**

- light - "white" fluorescent lamp
- light - "confectionery" fluorescent lamp

**Additional options add. cost**

- automatic condensate vaporization
- work surface - granite, Balmoral
- side panels of ABS plastic - color selection possible
- extra charge on front panel and/or base colour - colour selection possible
- temperature recorder \*
- plug with fuse
- front shelf for client
- step exposition shelf (2 or 3 steps)
- Fixed vertical barrier (from the length of 1,7 up to 2,5)
- movable glass partition