

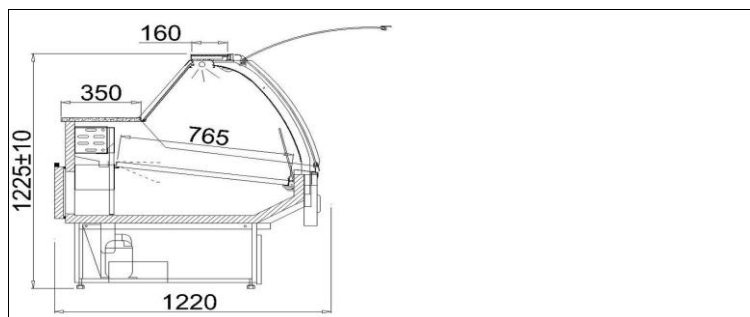


SANTIAGO (S) - MOD/A DRE

Type: SANTIAGO 2.1S-
mod/A DRE
ID: SA103-a/DRE



ISO 9001: 2000

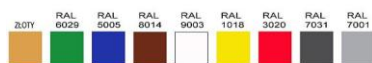


STANDARD

- device available for line setup
- internal refrigerating unit
- external housing made of zinc coated plate powder painted - white
- storage chamber made of stainless plate
- exposition area made of stainless plate
- Wooden case (appliance front) – colour-choice option (IGLOO pattern book)
- aluminium sections - color selection possible - silver/gold
- electronic control with digital temperature display
- gravitational cooling
- automatic defrosting
- condensate outlet to container
- sound alarm indicating condenser impurity or fan operation failure*
- front panel warm air blast
- work surface - granite, grey
- high front panel - bent from hardened glass
- front panel lifting telescopic system
- light - "meat" fluorescent lamp
- night roller blind
- back door
- ecological polyurethane foam insulation
- device levelling stands

Colour scheme

Paint colors



ABS sides



KOLOR WG WZORNIKA IGLOO

Base fender colors



KOLOR WG WZORNIKA IGLOO

Aluminium sections colors



KOLOR WG WZORNIKA IGLOO

Technical parameters

Cooling factor	R507
Length without sides [mm]	1920
Depth[mm]	1220
Side thickness [mm]	50
Cooling power [W]	634
Rated power [W]	541
Rated power of lighting [W]	58
Rated voltage [V]	230/50Hz
Shelf load [kg/linear metre]	50
Usable capacity of cold chamber [dm ³]	325
Cooling area of shelves [m ²]	1,5
Evaporation temperature To [°C]	-15
Unit weight [kg]	210
Height [mm]	1225+/-10
Range of temperature [°C]	+2/+8
Cooling power demand [W/linear metre]	350
Electricity consumption [kWh/24h]	8,7

Additional chooser options

- light - "white" fluorescent lamp
- light - "confectionery" fluorescent lamp

Additional options add. cost

- Wooden sides - colour-choice option (IGLOO pattern book)
- automatic condensate vaporization
- work surface - granite, Balmoral
- temperature recorder *
- plug with fuse
- step exposition shelf (2 or 3 steps)
- Fixed vertical barrier (from the length of 1,7 up to 2,5)
- movable glass partition

-Air temperature + 25 °C, air humidity 65% -Data alteration reserved * -only using IGLOO thermostat