

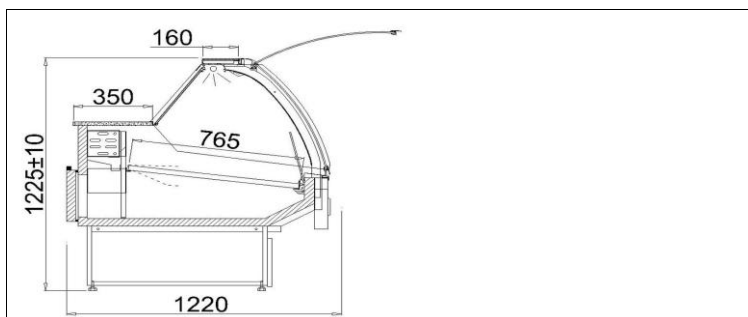


**SANTIAGO (S) - MOD/C DRE**

Type: *SANTIAGO 2.1S-*  
mod/C DRE  
ID:SA103-c/DRE



Management Service  
**ISO 9001: 2000**

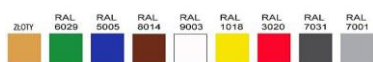


**STANDARD**

- powered only by external refrigerating unit
- external housing made of zinc coated plate powder painted - white
- storage chamber made of stainless plate
- exposition area made of stainless plate
- Wooden case (appliance front) – colour-choice option (IGLOO pattern book)
- electronic control with digital temperature display
- gravitational cooling
- automatic defrosting
- condensate outlet to container
- front panel warm air blast
- work surface - granite, grey
- front panel lifting telescopic system
- light - "meat" fluorescent lamp
- night roller blind
- ecological polyurethane foam insulation
- device levelling stands

**Colour scheme**

**Paint colors**



**Base fender colors**



**ABS sides**



KOLOR WG WZORNIKA IGLOO

**Aluminium sections colors**



KOLOR WG WZORNIKA IGLOO

**Technical parameters**

Cooling factor	-
Length without sides [mm]	1920
Depth[mm]	1220
Side thickness [mm]	50
Cooling power [W]	-
Rated power [W]	58
Rated power of lighting [W]	58
Rated voltage [V]	230/50Hz
Shelf load [kg/linear metre]	50
Usable capacity of cold chamber [dm <sup>3</sup> ]	170
Cooling area of shelves [m <sup>2</sup> ]	1,5
Evaporation temperature To [°C]	-15
Unit weight [kg]	190
Height [mm]	1225+/-10
Range of temperature [°C]	+2/+8
Cooling power demand [W/linear metre]	350
Electricity consumption [kWh/24h]	0,9

**Additional chooser options**

- light - "white" fluorescent lamp
- light - "confectionery" fluorescent lamp

**Additional options add. cost**

- Wooden sides - colour-choice option (IGLOO pattern book)
- work surface - granite, Balmoral
- temperature recorder \*
- plug with fuse
- step exposition shelf (2 or 3 steps)
- Fixed vertical barrier (from the length of 1,7 up to 2,5)
- movable glass partition