



**SANTIAGO (W) - DRE**

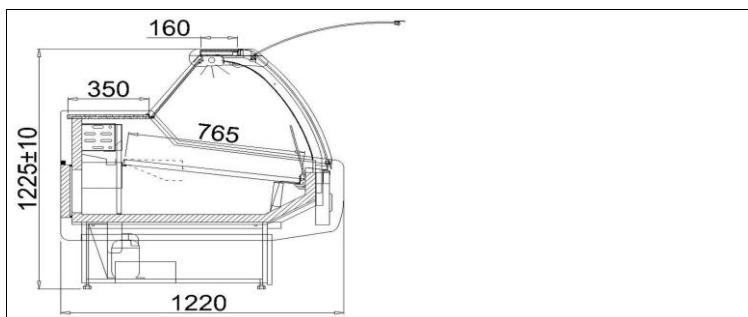
Type: *SANTIAGO 2.1W*

DRE

ID:SA103W/DRE



ISO 9001: 2000

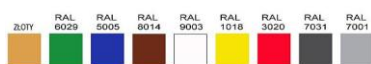


**STANDARD**

- internal refrigerating unit
- external housing made of zinc coated plate powder painted - white
- storage chamber made of stainless plate
- exposition area made of stainless plate
- wooden casing (sides and front of device) - color selection possible (IGLOO template)
- aluminium sections - color selection possible - silver/gold
- electronic control with digital temperature display
- dynamic cooling
- automatic defrosting
- condensate outlet to container
- sound alarm indicating condensate impurity or fan operation failure\*
- front panel warm air blast
- front panel lifting telescopic system
- light - "meat" fluorescent lamp
- night roller blind
- back door
- ecological polyurethane foam insulation
- front fender - color selection possible
- device levelling stands

**Colour scheme**

Paint colors



Aluminium sections colors



KOLOR WG WZORNIKA IGLOO

**Technical parameters**

Cooling factor	R507
Length with sides[mm]	2020
Depth[mm]	1220
Side thickness [mm]	50
Cooling power [W]	800
Rated power [W]	571
Rated power of lighting [W]	58
Rated voltage [V]	230/50Hz
Shelf load [kg/linear metre]	50
Usable capacity of cold chamber [dm <sup>3</sup> ]	325
Cooling area of shelves [m <sup>2</sup> ]	1,5
Evaporation temperature To [°C]	-10
Unit weight [kg]	250
Height [mm]	1225+/-10
Range of temperature [°C]	+2/+8
Cooling power demand [W/linear metre]	400
Electricity consumption [kWh/24h]	9,1

**Additional chooser options**

- light - "white" fluorescent lamp
- light - "confectionery" fluorescent lamp

**Additional options add. cost**

- automatic condensate vaporization
- temperature recorder \*
- plug with fuse
- step exposition shelf (2 or 3 steps)
- Fixed vertical barrier (from the length of 1,7 up to 2,5)
- movable glass partition