



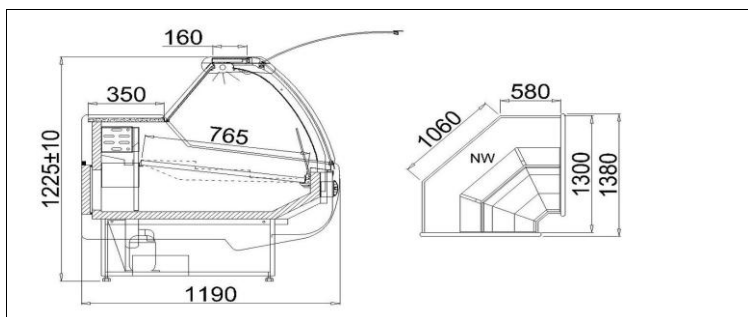
SANTIAGO NW (S)

Type: SANTIAGO NWS

ID: SA107



Management Service
ISO 9001: 2000

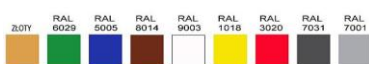


STANDARD

- internal refrigerating unit
- external housing made of zinc coated plate powder painted - white
- storage chamber made of stainless plate
- exposition area made of stainless plate
- aluminium sections - color selection possible - silver/gold
- electronic control with digital temperature display
- gravitational cooling
- automatic defrosting
- condensate outlet to container
- sound alarm indicating condenser impurity or fan operation failure*
- front panel warm air blast
- work surface - granite, grey
- high front panel - bent from hardened glass
- front panel lifting telescopic system
- light - "meat" fluorescent lamp
- night roller blind
- ecological polyurethane foam insulation
- side panels of ABS plastic - color selection possible
- front fender - color selection possible
- device levelling stands

Colour scheme

Paint colors



Base fender colors



KOLOR WG WZORNIKA IGLOO

Granite colors



Aluminium sections colors



KOLOR WG WZORNIKA IGLOO

ABS sides



KOLOR WG WZORNIKA IGLOO

Technical parameters

Cooling factor	R134a
Length with sides [mm]	1380/1380
Depth [mm]	1190
Side thickness [mm]	40
Cooling power [W]	371
Rated power [W]	227
Rated power of lighting [W]	18
Rated voltage [V]	230/50Hz
Shelf load [kg/linear metre]	50
Usable capacity of cold chamber [dm ³]	150
Cooling area of shelves [m ²]	0,9
Evaporation temperature To [°C]	-15
Unit weight [kg]	180
Height [mm]	1225+/-10
Range of temperature [°C]	+2/+8
Cooling power demand [W/linear metre]	350
Electricity consumption [kWh/24h]	3,6

Additional chooser options

- light - "white" fluorescent lamp
- light - "confectionery" fluorescent lamp

Additional options add. cost

- automatic condensate vaporization
- work surface - granite, Balmoral
- extra charge on front panel and/or base colour - colour selection possible
- temperature recorder *
- plug with fuse
- step exposition shelf (2 or 3 steps)
- movable glass partition

-Air temperature + 25 °C, air humidity 65% -Data alteration reserved * -only using IGLOO thermostat