



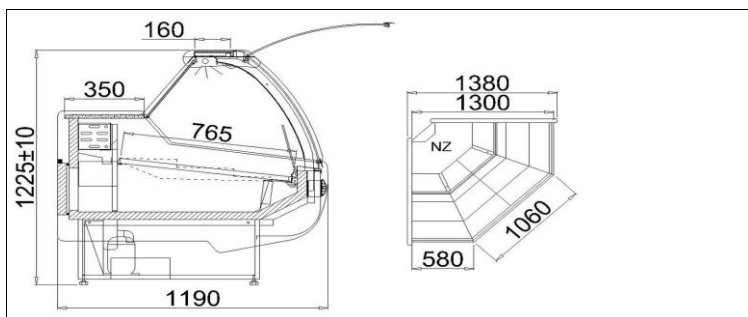
**SANTIAGO NZ (W)**

Type: SANTIAGO NZW

ID: SA106W



Management Service  
ISO 9001: 2000

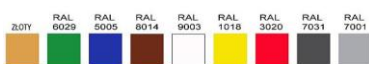


**STANDARD**

- internal refrigerating unit
- external housing made of zinc coated plate powder painted - white
- storage chamber made of stainless plate
- exposition area made of stainless plate
- aluminium sections - color selection possible - silver/gold
- electronic control with digital temperature display
- dynamic cooling
- automatic defrosting
- condensate outlet to container
- sound alarm indicating condenser impurity or fan operation failure\*
- front panel warm air blast
- work surface - granite, grey
- high front panel - bent removable
- light - "meat" fluorescent lamp
- night roller blind
- ecological polyurethane foam insulation
- side panels of ABS plastic - color selection possible
- front fender - color selection possible
- device levelling stands

**Colour scheme**

**Paint colors**



**Base fender colors**



**Granite colors**



**Aluminium sections colors**



**ABS sides**



KOLOR WG WZORNIKA IGLOO

**Technical parameters**

Cooling factor	R134a
Length with sides [mm]	1380/1380
Depth [mm]	1190
Side thickness [mm]	40
Cooling power [W]	470
Rated power [W]	341
Rated power of lighting [W]	15
Rated voltage [V]	230/50Hz
Shelf load [kg/linear metre]	50
Cooling area of shelves [m <sup>2</sup> ]	1,1
Evaporation temperature To [°C]	-10
Unit weight [kg]	155
Height [mm]	1225+/-10
Range of temperature [°C]	+2/+8
Cooling power demand [W/linear metre]	400
Electricity consumption [kWh/24h]	5,5

**Additional chooser options**

- light - "white" fluorescent lamp
- light - "confectionery" fluorescent lamp

**Additional options add. cost**

- automatic condensate vaporization
- work surface - granite, Balmoral
- extra charge on front panel and/or base colour - colour selection possible
- temperature recorder \*
- plug with fuse
- front shelf for client
- step exposition shelf (2 or 3 steps)
- movable glass partition