

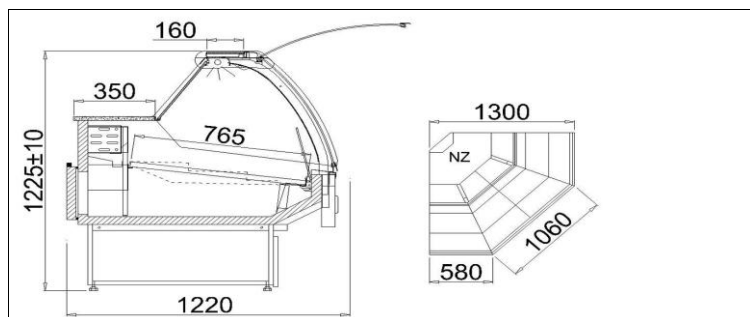


SANTIAGO NZ (W) - MOD/C DRE

Type: SANTIAGO NZW-
mod/C DRE
ID: SA106W-c/DRE



Management Service
ISO 9001: 2000

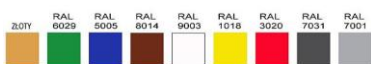


STANDARD

- device available for line setup
- powered only by external refrigerating unit
- external housing made of zinc coated plate powder painted - white
- storage chamber made of stainless plate
- exposition area made of stainless plate
- Wooden case (appliance front) – colour-choice option (IGLOO pattern book)
- aluminium sections - color selection possible - silver/gold
- electronic control with digital temperature display
- dynamic cooling
- automatic defrosting
- condensate outlet to container
- work surface - granite, grey
- high front panel - bent from hardened glass
- front panel lifting telescopic system
- light - "meat" fluorescent lamp
- night roller blind
- ecological polyurethane foam insulation
- device levelling stands

Colour scheme

Paint colors



Base fender colors



ABS sides



Aluminium sections colors



Technical parameters

Cooling factor	-
Length without sides [mm]	1300/1300
Depth [mm]	1220
Cooling power [W]	-
Rated power [W]	30
Rated power of lighting [W]	15
Rated voltage [V]	230/50Hz
Shelf load [kg/linear metre]	50
Cooling area of shelves [m ²]	1,1
Evaporation temperature To [°C]	-10
Unit weight [kg]	125
Height [mm]	1225+/-10
Range of temperature [°C]	+2/+8
Cooling power demand [W/linear metre]	400
Electricity consumption [kWh/24h]	0,5

Additional chooser options

- light - "white" fluorescent lamp
- light - "confectionery" fluorescent lamp

Additional options add. cost

- Wooden sides - colour-choice option (IGLOO pattern book)
- work surface - granite, Balmoral
- temperature recorder *
- plug with fuse
- step exposition shelf (2 or 3 steps)
- movable glass partition

-Air temperature + 25 °C, air humidity 65% -Data alteration reserved * -only using IGLOO thermostat