

Z.E.Ch. IGLOO product catalogue, group: Ice cream dispensers



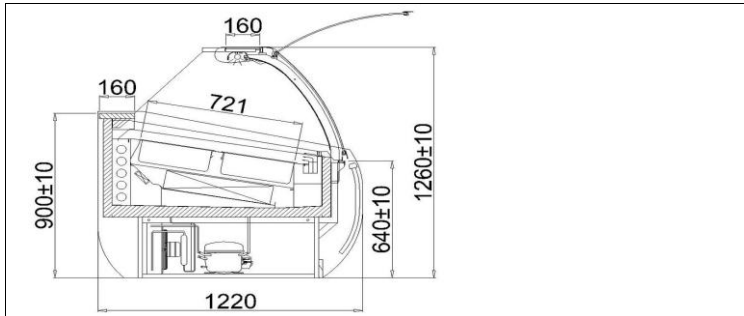
ARUBA

Type: ARUBA 1.25

ID: AB101



ISO 9001: 2000



STANDARD

- internal refrigerating unit
- chamber interior made of stainless plate
- wooden casing - color selection possible (IGLOO template)
- aluminium sections - color selection possible - silver / gold
- forced air circulation
- forced air circulation
- automatic defrosting
- automatic condensate vaporization
- adjustment possibilities for shelves and butchers hooks
- front panel warm air blast
- Internal lighting – 'candy' fluorescent lamp
- work surface - stainless plate, insulated
- high front panel - bent from hardened glass
- front panel lifting telescopic system
- night roller blind - electric
- ecological polyurethane foam insulation
- device levelling stands
- * only when using IGLOO thermostat

Colour scheme

Wood colors



Aluminium sections colors



Technical parameters

Cooling factor	R404A / R507
Length with sides [mm]	1385
Depth [mm]	1220
Side thickness [mm]	35
Number of GN containers [item]	14
Cooling power [W]	1235
Rated power [W]	1538
Rated power of electric heaters [W]	105
Rated power of lighting [W]	30
Rated voltage [V]	230/50Hz
Usable capacity [dm ³]	112
Cooling area [m ²]	0,85
Evaporation temperature To [°C]	-30
Unit weight [kg]	300
Height [mm]	1260+/-10
Range of temperature [°C]	-18/-20
Electricity consumption [kWh/24h]	18,5

Additional options add. cost

- VGN containers from stainless steel
- Ice-cream scoop washer
- Ice-cream scoop washer, including the flow system
- temperature recorder *

-Air temperature + 25 °C, air humidity 65% -Data alteration reserved * -only using IGLOO thermostat

Zakład Elektromechaniki Chłodniczej "IGLOO"

32-700 Bochnia, ul. Kazimierza Wielkiego 13

tel.: +48 14/ 662 19 10, fax: +48 14/ 662 19 12, e-mail: info@igloo.com.pl

