

Z.E.Ch. IGLOO product catalogue, group: Confectionery display cases



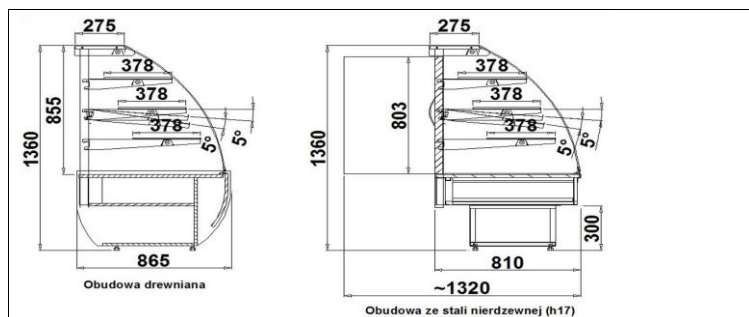
JAMAjKA (N)

Type: JAMAjKA 1.3N

ID: JA101N



Management Service
ISO 9001: 2000



STANDARD

- wooden casing - color selection possible (IGLOO template)
- high front panel, bent, made of hardened glass
- light - "confectionery" fluorescent lamp
- light for each shelf
- back sliding door with combined glass, self-closing
- device levelling stands
- exposition shelves have height and installation angle adjustment possibility
- Gold-painted internal frame

Colour scheme

Wood colors



Aluminium sections colors



Technical parameters

Length (wood/h17) [mm]	1380/1305
Depth (wood/h17) [mm]	865/810
Side thickness [mm]	40
Rated power [W]	144
Rated power of lighting [W]	144
Rated voltage [V]	230/50Hz
Shelf load [kg/linear metre]	10
Usable capacity [dm ³]	440
Area of shelves [m ²]	2,1
Unit weight [kg]	120
Height [mm]	1360+/-10
Range of temperature [°C]	neutralna
Electricity consumption [kWh/24h]	2,3

Additional chooser options

- device designed for line setup
- device designed for individual setup

Additional options add. cost

- external housing of stainless plate
- small tray
- large tray
- Jamajka 0.6 exposition space from stainless metal sheet
- Jamajka 0.9 exposition space from stainless metal sheet
- Jamajka 1.3 exposition space from stainless metal sheet

-Air temperature + 25 °C, air humidity 65% -Data alteration reserved * -only using IGLOO thermostat

Zakład Elektromechaniki Chłodniczej "IGLOO"

32-700 Bochnia, ul. Kazimierza Wielkiego 13

tel.: +48 14/ 662 19 10, fax: +48 14/ 662 19 12, e-mail: info@igloo.com.pl

