

# Z.E.Ch. IGLOO product catalogue, group: Salads display cases



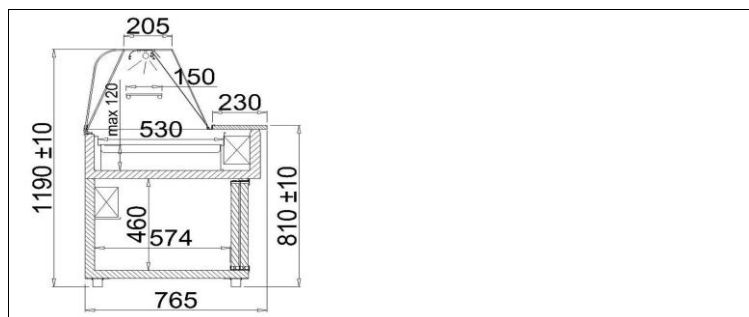
## KASIA Z

Type: KASIA 1.5 Z

ID: KA102TZ



Management Service  
ISO 9001: 2000



### STANDARD

- internal refrigerating unit
- external housing made of zinc coated plate, powder painted, color white
- storage chamber made of zinc coated plate covered with polyester, color white
- exposition area, made of stainless plate
- aluminium sections - color selection possible gold / silver
- electronic controller with digital temperature display
- gravitational cooling
- automatic defrosting
- condensate outlet to container
- sound alarm indicating condenser impurity or fan operation failure\*
- work surface - stainless plate, insulated
- high front panel, bent, removable
- light - "white" fluorescent lamp
- night blind rollers
- ecological polyurethane foam insulation
- device levelling stands

### Technical parameters

Cooling factor	R134a
Length [mm]	1500
Depth [mm]	765
Cooling power [W]	470
Rated power [W]	347
Rated power of lighting [W]	36
Rated voltage [V]	230/50Hz
Usable capacity [dm <sup>3</sup> ]	90
Usable capacity of ice bank [dm <sup>3</sup> ]	260
Show window area [m <sup>2</sup> ]	0,77
Evaporation temperature To [°C]	-10
Unit weight [kg]	155
Height [mm]	1190+/-10
Range of temperature [°C]	+2/+8
Electricity consumption [kWh/24h]	5,6

### Additional chooser options

- GN 1/1 catering containers - available depth 65 mm
- GN 1/4 catering containers - available depth 100 mm
- front fender - color selection possible

### Additional options add. cost

- external housing made of stainless plate
- external housing made of zinc coated plate, powder painted - color selection possibility
- automatic condensate vaporization
- light - "meat" fluorescent lamp
- wheels set
- temperature recorder \*
- glass exposition shelf

-Air temperature + 25 °C, air humidity 65% -Data alteration reserved \* -only using IGLOO thermostat

Zakład Elektromechaniki Chłodniczej "IGLOO"

32-700 Bochnia, ul. Kazimierza Wielkiego 13

tel.: +48 14/ 662 19 10, fax: +48 14/ 662 19 12, e-mail: info@igloo.com.pl

